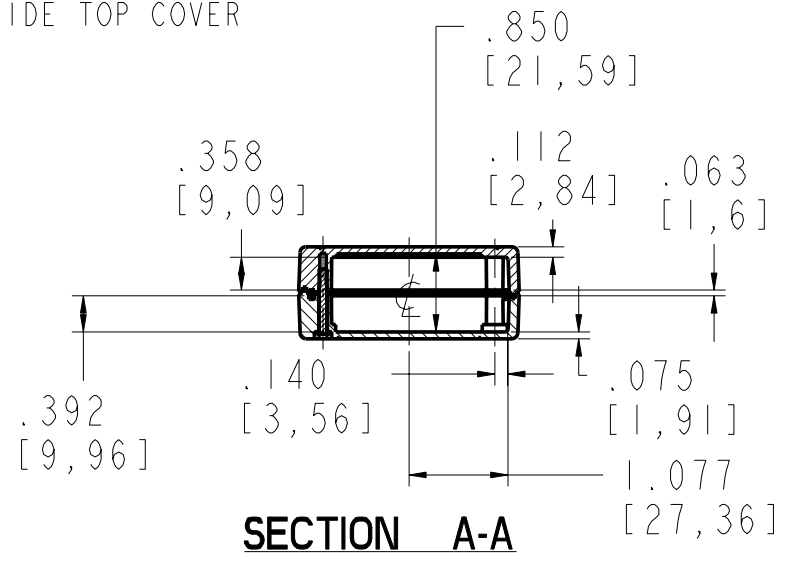
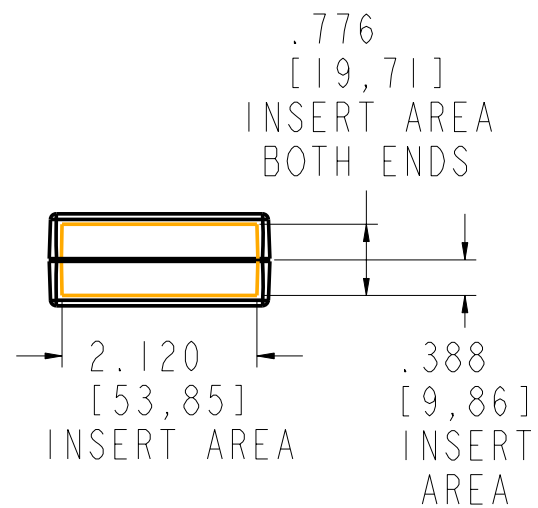
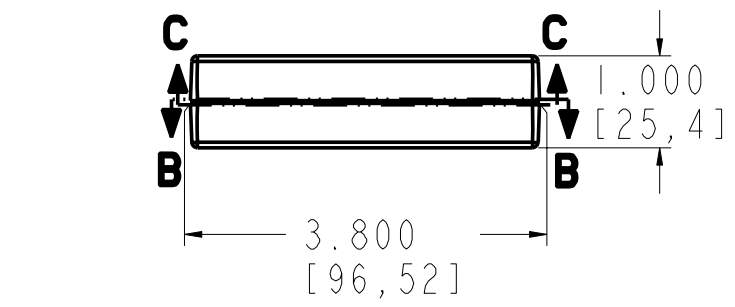
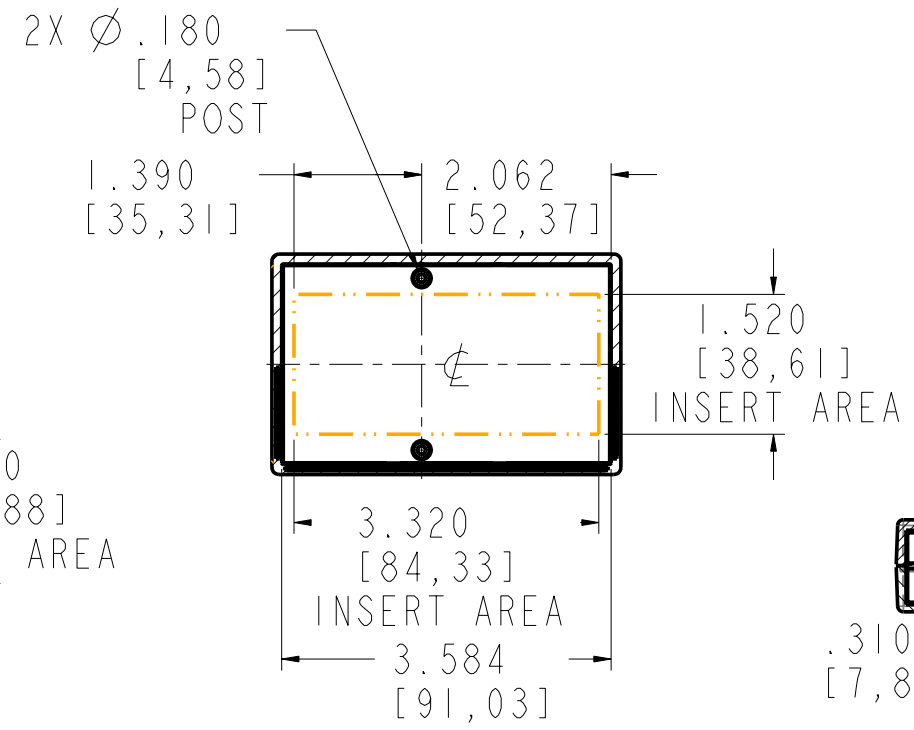
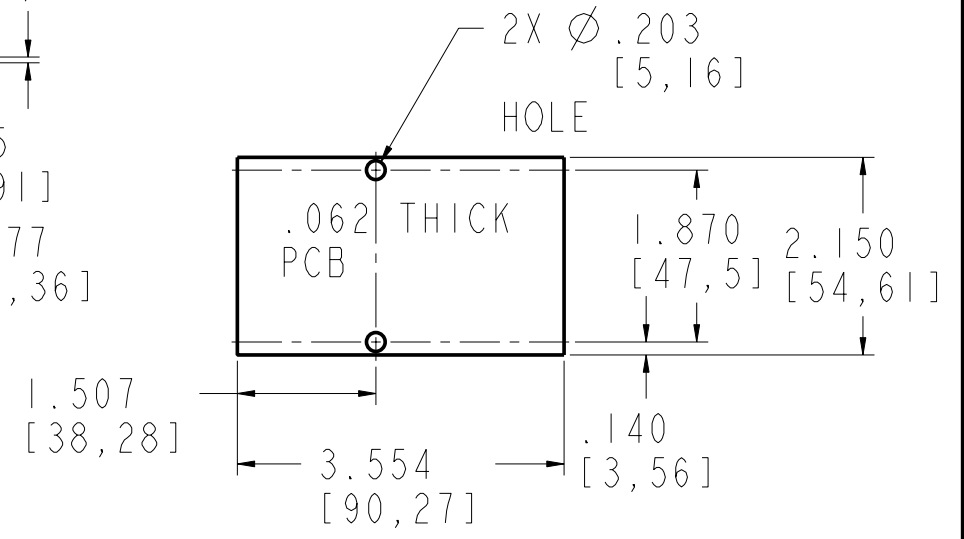


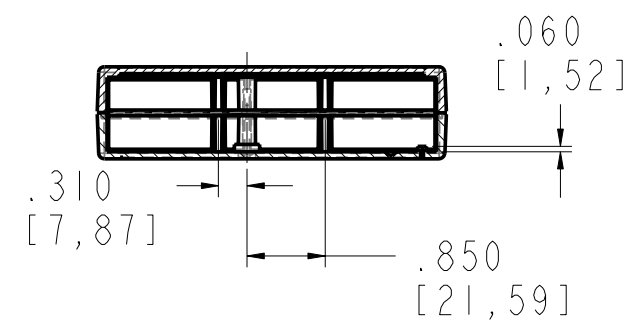
**SECTION C-C**  
INSIDE TOP COVER



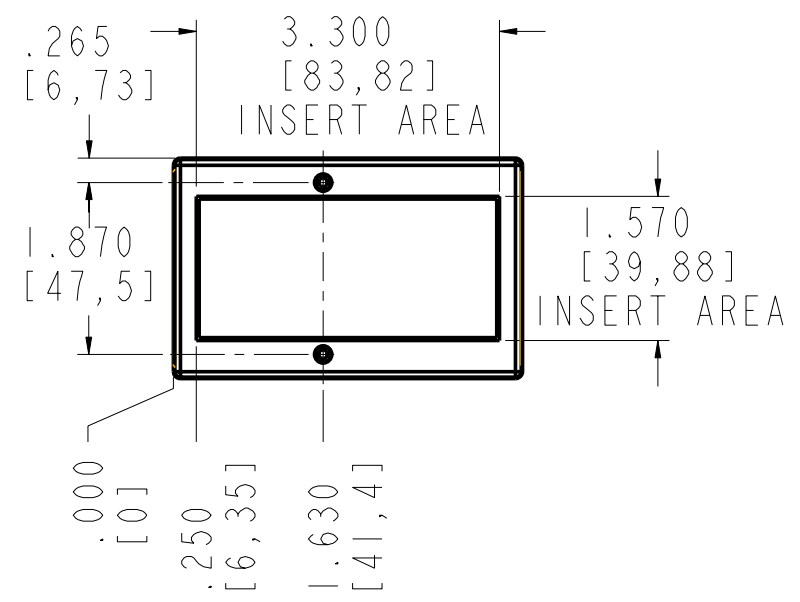
**SECTION A-A**



**SECTION B-B**  
INSIDE BOTTOM COVER



**SECTION D-D**



1. PC BOARD IS TRAPPED BETWEEN THE TOP AND BOTTOM COVER .

**PACNTEC**<sup>®</sup>  
1-610-361-4231

**JM24**

VISIT **PACNTEC**<sup>®</sup>  
ON THE WORLD WIDE WEB  
[www.pactecenclosures.com](http://www.pactecenclosures.com)

COLOR / MATERIAL / CODE		
COLOR	94HB	94V-0
BLACK	000	028
PC BONE	039	060

INSERT AREAS ARE SECTIONS IN OUR TOOLS THAT CAN BE REMOVED AND REPLACED WITH CUSTOMER SPECIFIC DETAILS

DRAWING NUMBER	REV
71033	C

# Mouser Electronics

Authorized Distributor

Click to View Pricing, Inventory, Delivery & Lifecycle Information:

PacTec:

[71103-510-039 JM-24 Bone Kit](#) [71100-510-000 JM-24 Black Kit](#)