

Keysight N2111A Rack Mount Kit for 6000 X-Series Oscilloscopes

Installation
Guide

Notices

© Keysight Technologies, Inc. 2014-2015

No part of this manual may be reproduced in any form or by any means (including electronic storage and retrieval or translation into a foreign language) without prior agreement and written consent from Keysight Technologies, Inc. as governed by United States and international copyright laws.

Manual Part Number

N2111-97001

Edition

Second Edition, May 2015

Printed in Malaysia

Published by:
Keysight Technologies, Inc.
1900 Garden of the Gods Road
Colorado Springs, CO 80907 USA

Warranty

The material contained in this document is provided “as is,” and is subject to being changed, without notice, in future editions. Further, to the maximum extent permitted by applicable law, Keysight disclaims all warranties, either express or implied, with regard to this manual and any information contained herein, including but not limited to the implied warranties of merchantability and fitness for a particular purpose. Keysight shall not be liable for errors or for incidental or consequential damages in connection with the furnishing, use, or performance of this document or of any information contained herein. Should Keysight and the user have a separate written agreement with warranty terms covering the material in this document that conflict with these terms, the warranty terms in the separate agreement shall control.

Technology Licenses

The hardware and/or software described in this document are furnished under a license and may be used or copied only in accordance with the terms of such license.

Restricted Rights Legend

If software is for use in the performance of a U.S. Government prime contract or subcontract, Software is delivered and licensed as “Commercial computer software” as defined in DFAR 252.227-7014 (June 1995), or as a “commercial item” as defined in FAR 2.101(a) or as “Restricted computer software” as defined in FAR 52.227-19 (June 1987) or any equivalent agency regulation or contract clause. Use, duplication or disclosure of Software is subject to Keysight Technologies’ standard commercial license terms, and non-DOD Departments and Agencies of the U.S. Government will receive no greater than Restricted Rights as defined in FAR 52.227-19(c)(1-2) (June 1987). U.S. Government users will receive no greater than Limited Rights as defined in FAR 52.227-14

(June 1987) or DFAR 252.227-7015 (b)(2) (November 1995), as applicable in any technical data.

Safety Notices

CAUTION

A **CAUTION** notice denotes a hazard. It calls attention to an operating procedure, practice, or the like that, if not correctly performed or adhered to, could result in damage to the product or loss of important data. Do not proceed beyond a **CAUTION** notice until the indicated conditions are fully understood and met.

WARNING

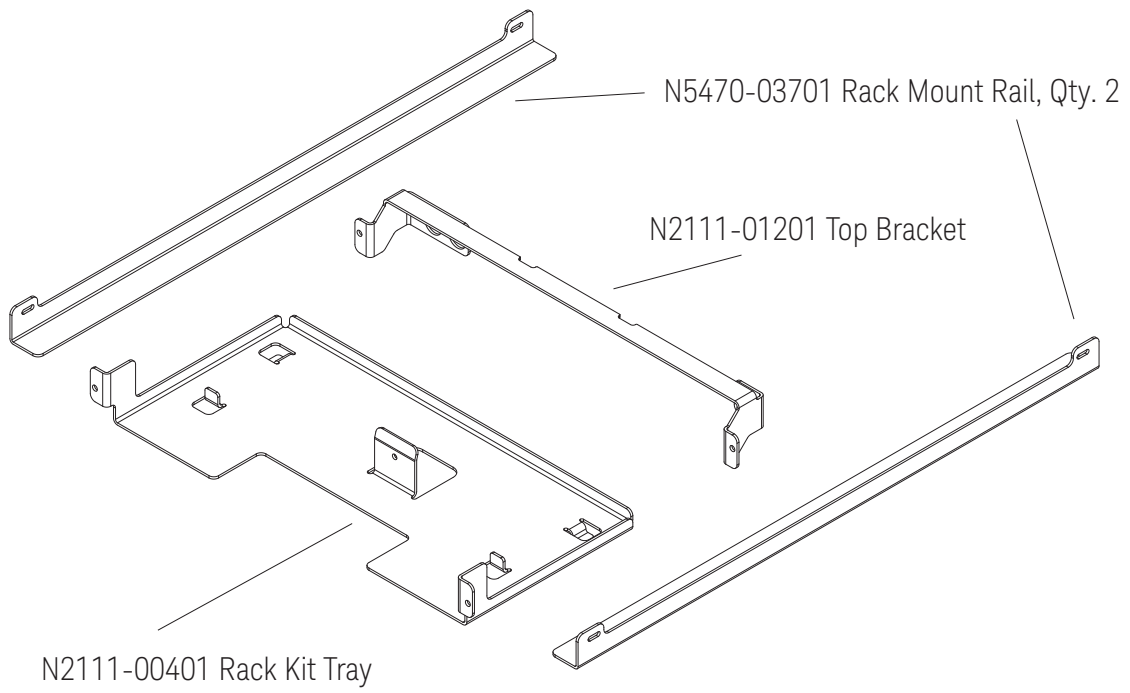
A **WARNING** notice denotes a hazard. It calls attention to an operating procedure, practice, or the like that, if not correctly performed or adhered to, could result in personal injury or death. Do not proceed beyond a **WARNING** notice until the indicated conditions are fully understood and met.

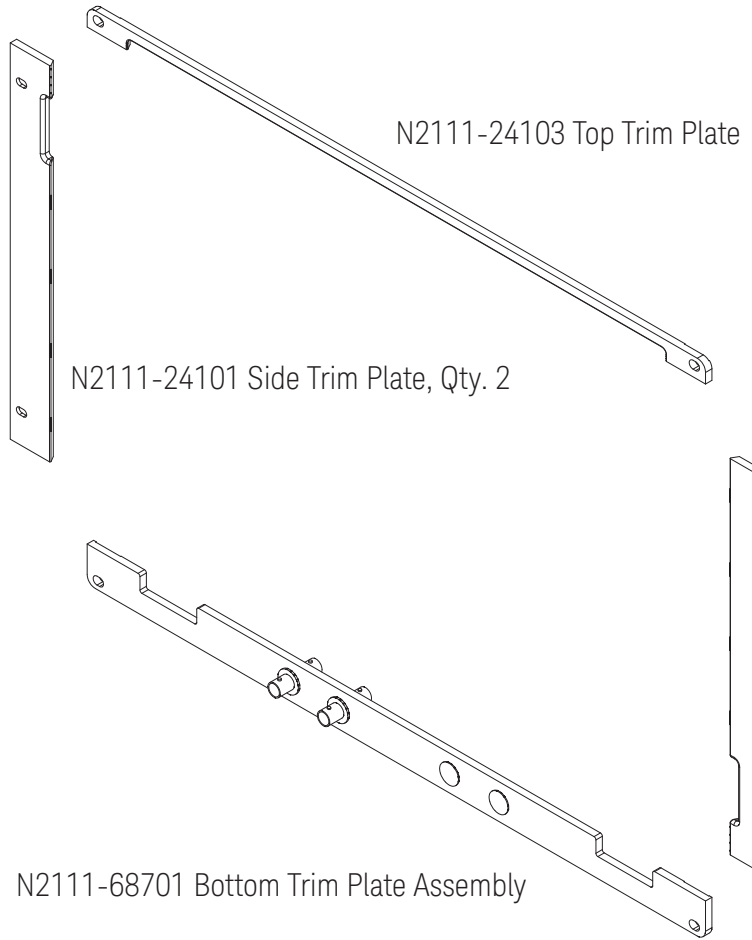
In This Guide...

This guide contains instructions for installing the Rack Mount Kit for 6000 X-Series Oscilloscopes. The Rack Mount Kit provides a support shelf and hardware for mounting Keysight 6000 X-Series Oscilloscopes into Electronic Industries Association (EIA) standard 19-inch (487-mm) rack cabinets. The N2111A rack mount kit requires 7U of vertical rack space.





The Rack Mount Kit includes the following parts:

Quantity	Part Number	Description
1	N2111-00401	Rack Kit Tray
1	N2111-01201	Top Bracket
2	N5470-03701	Rail, Rack Mount
2	N2111-24101	Side Trim Plate
1	N2111-24103	Top Trim Plate
1	N2111-68701	Bottom Trim Plate Assembly
3	0515-0436	Screw, machine, pan head, with washer, Torx T20 M4 x 0.7, 18 mm
4	2360-0806	Screw, machine, pan head Philips, 10-32 x 0.5 in
12	0590-0804	Nut, sheet metal, 10-32 x 0.5
8	E9900-06001	Screw, special, pan head, Philips, 10-32 x 0.625 in





HARDWARE

Quantity	Part Number		Description
3	0515-0436		Screw, machine, pan head, with washer, Torx T20 M4 x 0.7, 20 mm
4	2360-0806		Screw, machine, pan head Phillips, 10-32 x 0.5 in
12	0590-0804		Nut, sheet metal, 10-32 x .5
8	E9900-06001		Screw, special, pan head, Phillips, 10-32 x 0.625 in

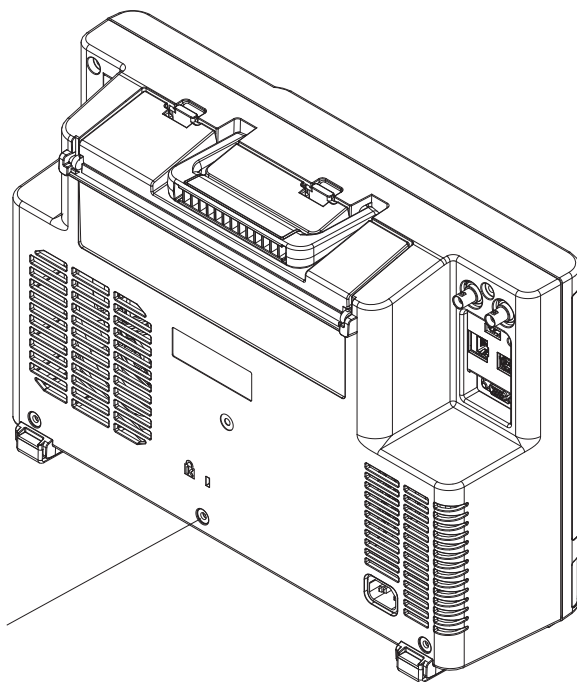
Installation

You will need the following tools to install the Rack Mount Kit:

- T20 Torx driver.
- #2 Phillips screwdriver.

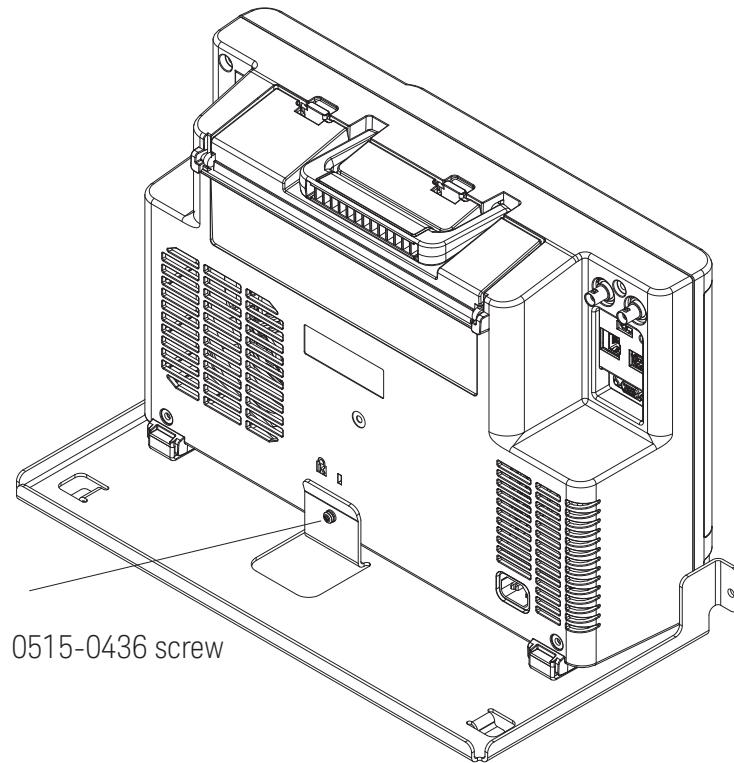
To perform the installation:

- 1** Make sure the oscilloscope's front feet are retracted so that the oscilloscope stands upright (not tilted).
- 2** Remove the screw from the lower back center of the oscilloscope.



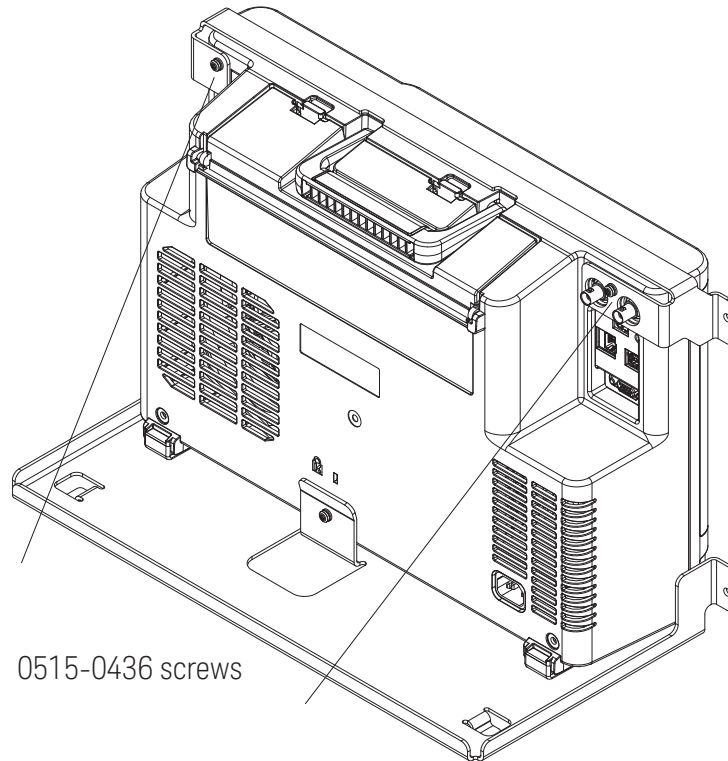
- 3** Set the oscilloscope onto the N2111-00401 Rack Kit Tray.

- 4 Secure the oscilloscope to the Rack Tray Assembly using one 0515-0436 screw.



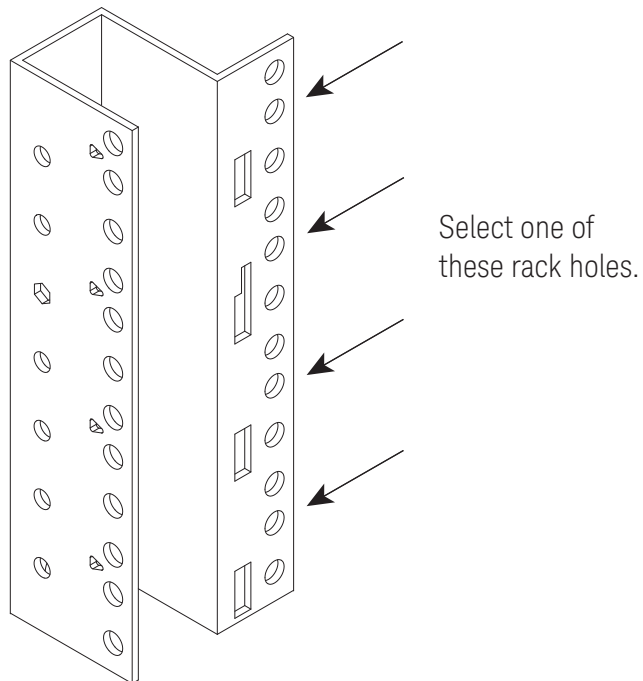
- 5 Remove the screws from the upper back corners of the oscilloscope.

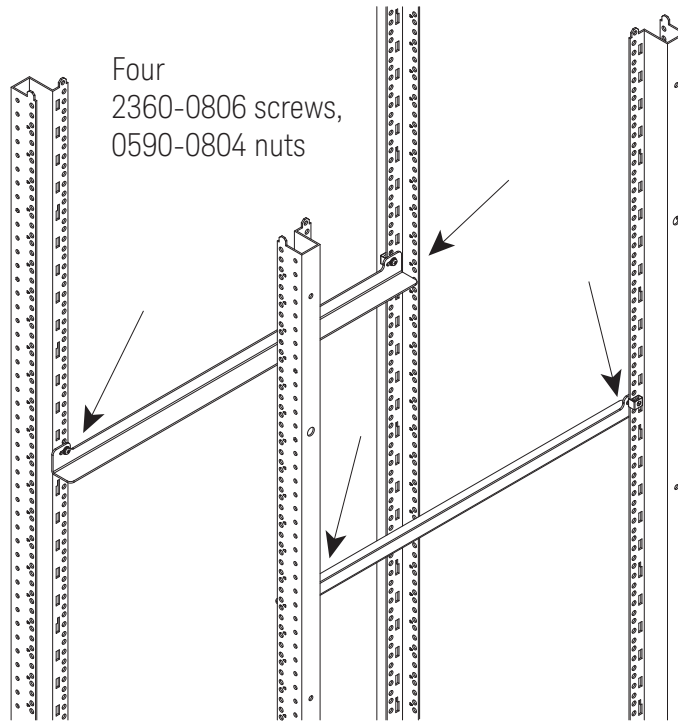
- 6 Attach the N2111-01201 Top Bracket to the top of the oscilloscope using (Qty 2) 0515-0436 screws.



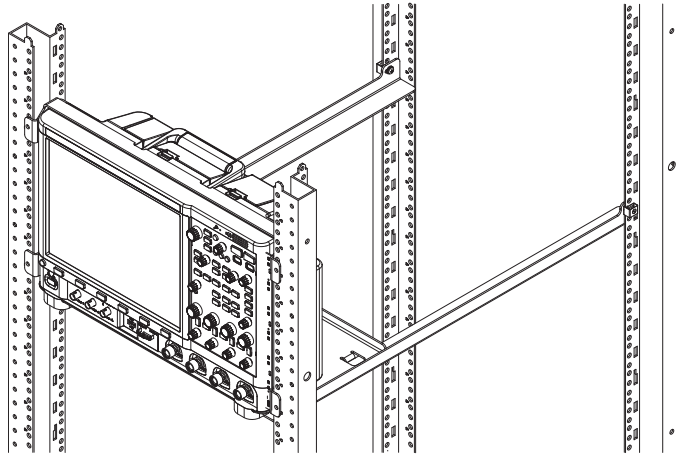
- 7 Attach the two N5470-03701 Rack Mount Rails to your rack using (Qty. 4) 2360-0806 screws and (Qty. 4) 0590-0804 nuts.

For proper rack mount kit alignment, select one of the holes just above a rectangular cut-out (or the bottom hole of a pair in the pair, single, pair, single, etc., hole sequence).

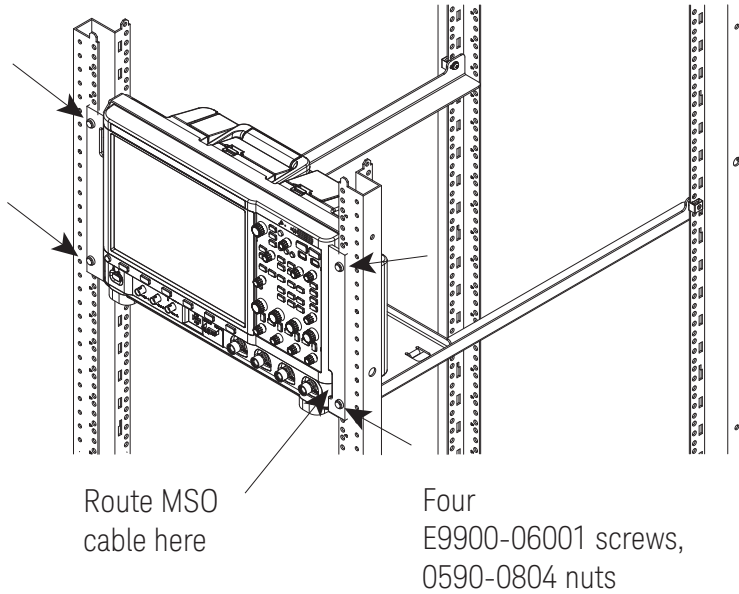




- 8 Slide the assembled oscilloscope and Rack Tray Assembly into the rack.

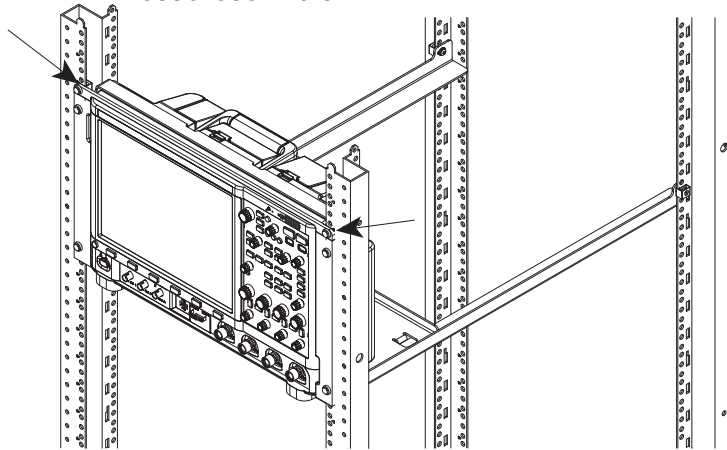


- 9** Secure the two Side Trim Plates to the rack using (Qty. 4) E9900-06001 screws and (Qty. 4) 0590-0804 nuts. Assembly may be easier if you slightly lift the oscilloscope to align the holes.
- a** Optional: If you plan to route the MSO cable through the notch in the Side Trim Plate, route it now.



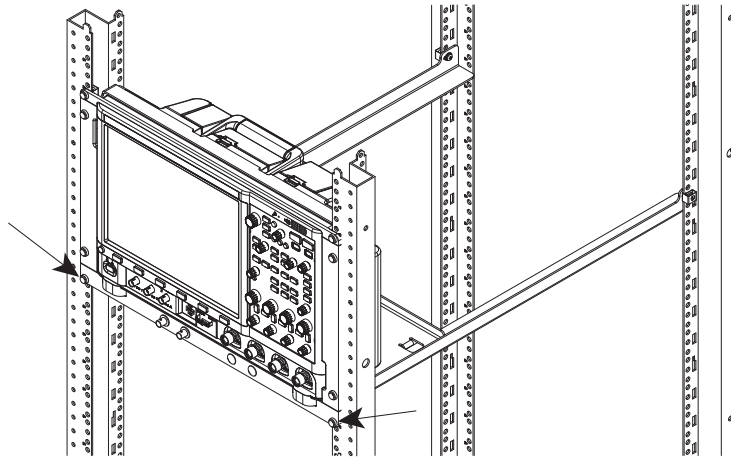
- 10** Secure the N5470-24102 Top Trim Plate to the rack using (Qty. 2) E9900-06001 screws and (Qty. 2) 0590-0804 nuts.

Two
E9900-06001 screws,
0590-0804 nuts



11 Bottom Trim Plate:

- a** Optional: If you plan to connect cables from the oscilloscope to the BNC feed-throughs, connect them now. It may be difficult to connect them after securing the bottom trim plate.
- b** Secure the N2111-68701 Bottom Trim Plate Assembly to the rack using (Qty. 2) E9900-06001 screws and (Qty. 2) 0590-0804 nuts.



Two
E9900-06001 screws,
0590-0804 nuts

You have completed installation of the Rack Mount Kit.

This information is subject to change without notice.

© Keysight Technologies, Inc.
2014-2015

Printed in Malaysia
Second Edition, May 2015



N2111-97001
www.keysight.com



Mouser Electronics

Authorized Distributor

Click to View Pricing, Inventory, Delivery & Lifecycle Information:

[Keysight:](#)

[N2111A](#)