

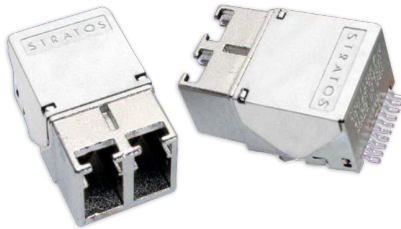
LxLx-ST11xx Low Profile Optical Transceiver

1x/2x Fiber Channel Applications 3.3V, 850nm VCSEL,
Multimode, Up to 500 Meters

Applications

The LxLx-ST11xx multimode optical fiber transceivers provide low profile, cost effective solutions for rate agile 1x/2x Fiber Channel multimode optical fiber data links with a duplex LC connector interface.

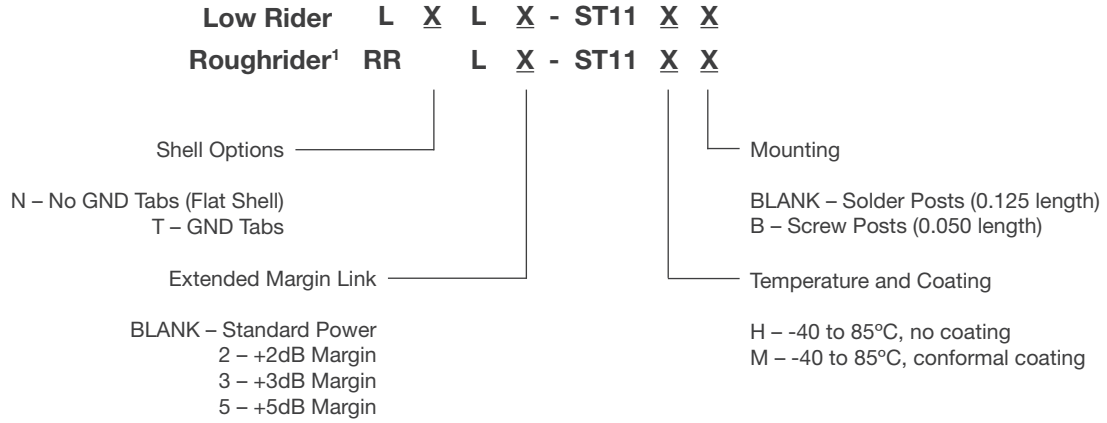
These transceivers are fully compliant with the ANSI Fiber Channel standards but can be used for any other data communications purpose within their operating parameters.



Features

- Low Profile Design - 0.386 inches max. height
- Surface mount I/O pins for high speed signal integrity
- All metal body, solder or screw mount options
- Industrial Temp Range, Vibration tolerant design
- RX data squelch on Signal Detect deassert
- Individual (separate) +3.3 V power supply per port
- Industry standard duplex multimode LC receptacle
- Compliant with ANSI Fiber Channel FC-PI / PH2
- EN-60825 / IEC-825 / CDRH Class 1 Compliant
- Optional Parylene C Conformal Coating
- High Power Options available
- Optional addition of fiber pigtail

Ordering Information



Transmitters: VCCTX = 3.135V to 3.465V, T_A = Operating Temperature Range

Parameter	Symbol	MIN	Typical	MAX	Unit
Optical Output Power^{1,2}	P _o				dBm
LxL-ST11xx		-10.0		-1.5	
LxL2-ST11xx (+2dB Margin)		-8.0		-1.5	
LxL3-ST11xx (+3dB Margin)		-7.0		-1.5	
LxL5-ST11xx (+5dB Margin)		-5.0		-1.5	
Extinction Ratio	ER		9		dB
Optical Modulation Amplitude (p-p)	OMA				
2.125 GigaBaud		196			μW
1.0625 GigaBaud		156			μW
Total Jitter¹	T _j			85	ps

1. Assuming an Extinction Ratio of 9 dB

2. BER=10⁻¹² @ 2.125 GigaBaud, PRBS = 2⁷-1, NRZ, Compliant with FC-PI-2.

Receivers: VCCR_X = 3.135V to 3.465V, T_A = Operating Temperature Range

Parameter	Symbol	MIN	Typical	MAX	Unit
Optical Sensitivity ¹ 2.125 GigaBaud ² 1.0625 GigaBaud ³	P _i	-15.0 -17.0		0 0	dBm dBm
Optical Modulation Amplitude 2.125 GigaBaud 1.0625 GigaBaud	OMA	49 31			μW μW
Stressed Receiver Sensitivity (OMA) 2.125 GigaBaud 50/125 μm MMF 62.5/125 μm MMF 1.0625 GigaBaud 50/125 μm MMF 62.5/125 μm MMF		96 109 55 67			μW μW μW μW

1. Assuming an Extinction Ratio of 9 dB
2. BER=10⁻¹² @ 2.125 GigaBaud, PRBS = 2⁷-1, NRZ, Compliant with FC-PI-2.
3. BER=10⁻¹² @ 1.0625 GigaBaud, PRBS = 2⁷-1, NRZ, Compliant with FC-PH.

Link Distances

Fiber Specification	Application	Distance
62.5/125 (200MHz*Km)	2x Fiber Channel – ANSI X3.297 FC-PI	150M
	1x Fiber Channel – ANSI X3.297 FC-PH-2	300M
50/125 (500MHz*Km)	2x Fiber Channel – ANSI X3.297 FC-PI	300M
	1x Fiber Channel – ANSI X3.297 FC-PH-2	500M

For more information on this product consult the LxLx-ST11xx product data sheet.

Mouser Electronics

Authorized Distributor

Click to View Pricing, Inventory, Delivery & Lifecycle Information:

[Bel:](#)

[LNL5-S-T2HB](#)

[Cinch Connectivity Solutions:](#)

[LNL-ST11H](#) [LTL-ST11MB](#) [LNL-ST11M](#) [LNL-ST11MB](#)