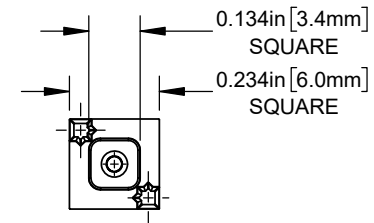
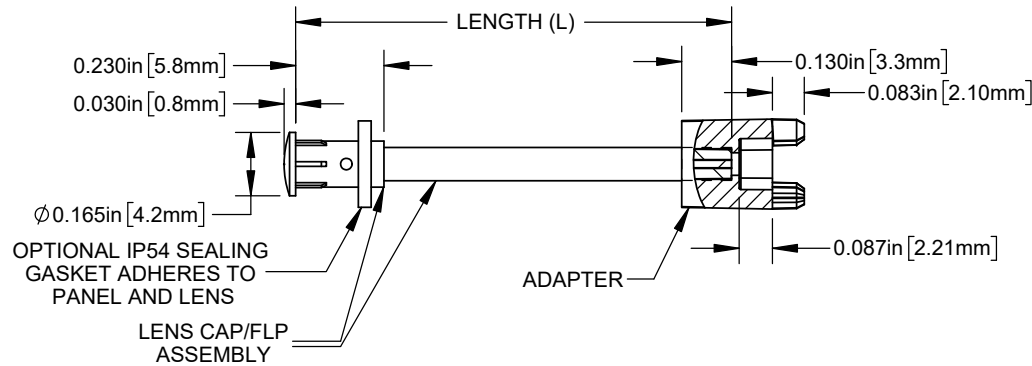


**NOTES:**

1. ALLOWABLE FLEXIBLE LIGHT PIPE CUT LENGTH AVAILABLE IN INCREMENTS OF 0.05".
2. MINIMUM BEND RADIUS OF FLEXIBLE LIGHT PIPE: 0.87" [22mm].
3. LENS AND FLEXIBLE LIGHT PIPE SHIPPED ASSEMBLED. ADAPTER AND SEALING GASKET SHIPPED NON-ASSEMBLED.
4. SEE SHEET 2 FOR DETAILED ASSEMBLY INSTRUCTIONS TO ACHIEVE OPTIMUM FUNCTION OF SEALING GASKET.

REVISIONS			
REV.	DESCRIPTION	DATE	APPROVED
A	Engineering Release	2/26/2025	A.V.
B	ECO-1335: Updated Adapter Mounting Holes	6/17/2025	A.V.



**PART NUMBER CONFIGURATOR**

SEE SHEET 2 FOR ORDERING INFORMATION

SZSF1-X.XX-F4PX

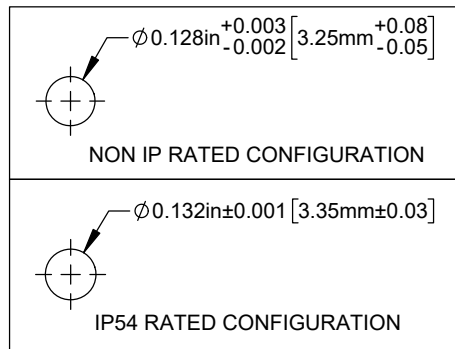
LENGTH (L)  
(SEE TABLE 1)

LENS COLOR  
(SEE TABLE 2)

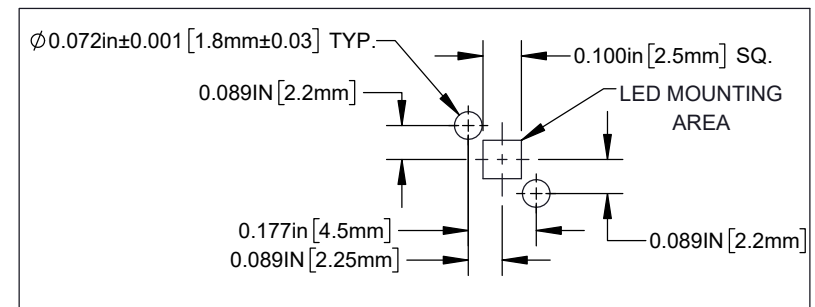
IP RATING

IP OPTION	CODE
NONE	(BLANK)
IP54	54

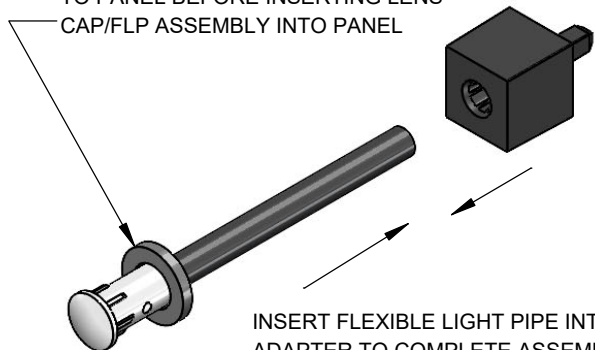
**RECOMMENDED LENS MOUNTING HOLE**



**RECOMMENDED ADAPTER MOUNTING HOLES**



OPTIONAL IP54 SEALING GASKET APPLIED TO PANEL BEFORE INSERTING LENS CAP/FLP ASSEMBLY INTO PANEL



**CUSTOMER USE DRAWING**

STANDARD TOLERANCE (UNLESS OTHERWISE SPECIFIED)		 4 THOMAS, IRVINE, CA. 92618 TEL: (949) 951-8808 FAX: (949) 951-3974	
DECIMALS	ANGULAR		
.X ± .1	X° ± 1°	<b>TITLE:</b> FLP ASSEMBLY WITH SMALL FOOTPRINT ADAPTER, LC	
.XX ± .02			
.XXX ± .010		<b>DRAWING NO:</b> SZSF1-X.XX-F4PX	<b>REVISION:</b> B
DESIGNED: K. BARON	DATE: 2/26/2025	<b>SHEET SIZE:</b> A	<b>CAGE CODE:</b> 32559
REvised: K. BARON	DATE: 6/17/2025	<b>SCALE:</b> 2:1	<b>SHEET #</b> 1 OF 2
CHECKED: D. ASHBY	DATE: 6/17/2025	CAD GENERATED DOCUMENT, DO NOT MEASURE DRAWING	

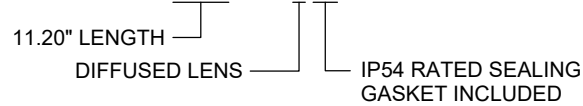
TABLE 1 - LENGTH	
LENGTH (L)*	TOLERANCE
1.00" - 16.00"	±0.05"
16.05" - 40.00"	±0.15"
40.05" - 80.00"	±0.30"
80.05" - 3,940.00"	±0.5%

\*AVAILABLE IN 0.05" INCREMENTS

TABLE 2 - LENS	
ORDER CODE	LENS APPEARANCE
(BLANK)	CLEAR
D	DIFFUSED

**SAMPLE PART NUMBER:**

SZSF1-11.20-F4PD54



**ASSEMBLY INSTRUCTIONS TO ACHIEVE OPTIMUM FUNCTION OF SEALING GASKET:**

- CLEAN PANEL SURFACE AROUND MOUNTING HOLE WITH ALCOHOL
- PEEL LINER OFF TOP OF THE SEALING GASKET WHILE KEEPING SEALING GASKET ON PLASTIC ROLL
- APPLY SEALING GASKET TO PANEL HOLE AS CENTERED AS POSSIBLE AND PEEL PLASTIC LINER SLOWLY AWAY
- INSERT LIGHT PIPE INTO PANEL UNTIL SEALING GASKET MATERIAL IS COMPRESSED BETWEEN LENS AND PANEL
- HOLD FOR A FEW SECONDS TO ENSURE ENTIRE SEALING GASKET ADHERES TO PANEL AND LENS FLANGE SURFACE

**CUSTOMER USE DRAWING**

		<b>BIVAR<sup>®</sup></b>	
<b>CAGE CODE:</b>	<b>32559</b>	<b>DRAWING NO:</b> SZSF1-X.XX-F4PX	<b>REVISION:</b> <b>B</b>
<b>SHEET SIZE:</b>	<b>A</b>	SCALE: 2:1	<b>SHEET # 2 OF 2</b>
<small>CAD GENERATED DOCUMENT, DO NOT MEASURE DRAWING</small>			

# Mouser Electronics

Authorized Distributor

Click to View Pricing, Inventory, Delivery & Lifecycle Information:

[BIVAR:](#)

[SZSF1-12.00-F4PD](#) [SZSF1-6.00-F4PD](#) [SZSF1-12.00-F4P54](#) [SZSF1-12.00-F4PD54](#) [SZSF1-6.00-F4P54](#) [SZSF1-6.00-F4PD54](#) [SZSF1-6.00-F4P](#)