

General Specifications

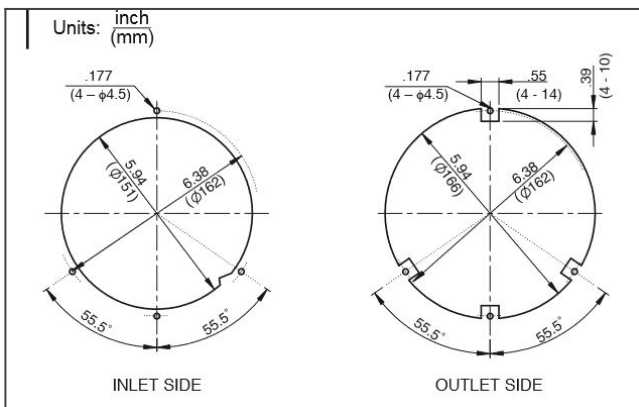
Motor Protection: Auto Restart/Polarity Protection
 Insulation Resistance: 10M Ohm or over with a DC500V Megger
 Dielectric Withstand Voltage: AC 700V 1st
 Allowable Ambient Temperature Range:
 -10 degree C ~ +70 degree C (Operating)
 -40 degree C ~ +70 degree C (Storage)

order part 17250VA-48P-GA-00 IP69K Ball Bearing Fan DC Fans



DC Fans

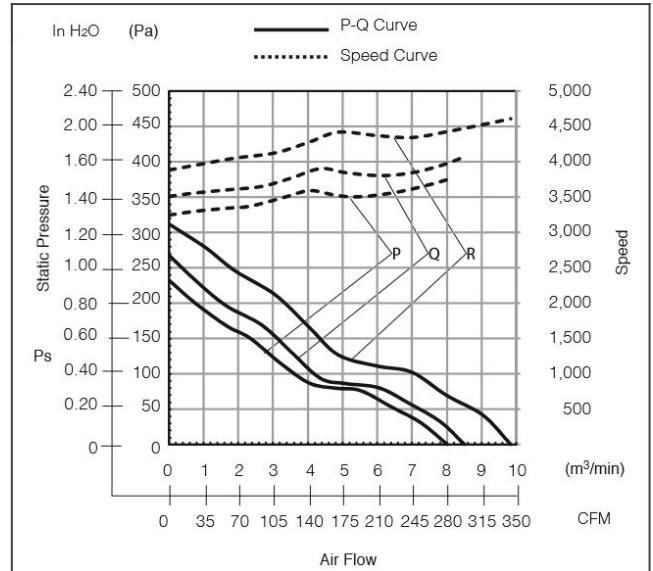
17250VA panel cut out



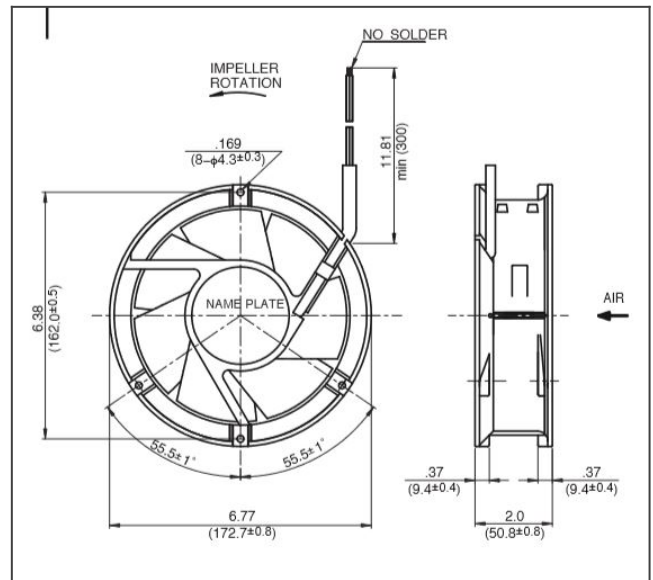
Material

Casing: Plastic (Black) UL94V-0
 Impeller: Plastic (Black) UL94V-0
 Lead Wire: UL1007, AWG22, +Red, -Black

17250VA characteristic curve



17250VA product drawing



Detailed Specifications

DC Fans

Expected Life:	25 degree C 100,000 Hours (L10)
DC Fan:	IP69K Ball Bearing Fan
Nominal Voltage:	48[V]
Operating Voltage Lower:	38[V]
Operating Voltage Upper:	52.8[V]
Current:	0.55[A]
Input Power:	26.4[W]
Speed:	3750[min^{-1}]
Max. Air Flow:	8[m ³ /min]
Max. Air Flow:	282[CFM]
Max. Static Pressure:	232[Pa]
Max. Static Pressure:	0.93[In H ₂ O]
Noise:	56[dB]
Mass:	950[g]
Fan Size:	172[mm]
Fan Width:	50[mm]
Life Expectancy L10:	25 degree C 100,000 Hours (L10)
Series:	17250VA

Mouser Electronics

Authorized Distributor

Click to View Pricing, Inventory, Delivery & Lifecycle Information:

[NMB Technologies:](#)

[17250VA-48P-GA-00](#)