



# TRILL



Touch sensing for makers

## Capacitive Touch Sensors

### Revision C

Augmented Instruments Ltd. (AIL / Bela)

Datasheet Version 1.0 – Revised 2023-08-03

# Contents

|   |           |
|---|-----------|
| <b>1 Overview</b>                           | <b>3</b>  |
| 1.1 Revision history . . . . .              | 3         |
| <b>2 Manufacturer Numbers</b>               | <b>3</b>  |
| <b>3 Trill Sensor Types</b>                 | <b>4</b>  |
| <b>4 Pinout</b>                             | <b>4</b>  |
| 4.1 Additional connections . . . . .        | 4         |
| 4.2 Trill Craft . . . . .                   | 5         |
| 4.3 Trill Hub . . . . .                     | 5         |
| <b>5 Electrical specifications</b>          | <b>5</b>  |
| 5.1 Schematics . . . . .                    | 5         |
| <b>6 Functional overview</b>                | <b>8</b>  |
| 6.1 Operating modes . . . . .               | 8         |
| 6.2 Timing characteristics . . . . .        | 9         |
| 6.2.1 Scan trigger . . . . .                | 9         |
| 6.2.2 Acquisition time . . . . .            | 9         |
| 6.2.3 EVT pin . . . . .                     | 10        |
| 6.2.4 Use cases . . . . .                   | 10        |
| <b>7 Communication</b>                      | <b>12</b> |
| 7.1 I <sup>2</sup> C addresses . . . . .    | 12        |
| 7.2 Writing and reading data . . . . .      | 13        |
| 7.3 Memory map . . . . .                    | 13        |
| 7.4 Commands and acknowledgements . . . . . | 14        |
| 7.5 Command list . . . . .                  | 14        |
| 7.6 Status byte . . . . .                   | 18        |
| 7.7 Payload . . . . .                       | 18        |
| 7.7.1 Centroid mode . . . . .               | 18        |
| 7.7.2 Raw, Baseline or Diff mode . . . . .  | 19        |
| 7.8 Typical operation . . . . .             | 20        |
| 7.8.1 Code listing 1 . . . . .              | 21        |
| 7.8.2 Code listing 2 . . . . .              | 22        |

|           |                                      |           |
|-----------|--------------------------------------|-----------|
| <b>8</b>  | <b>Dimensions</b>                    | <b>23</b> |
| 8.1       | Trill Bar . . . . .                  | 23        |
| 8.2       | Trill Square . . . . .               | 24        |
| 8.3       | Trill Craft . . . . .                | 26        |
| 8.4       | Trill Ring . . . . .                 | 26        |
| 8.5       | Trill Hex . . . . .                  | 27        |
| 8.6       | Trill Flex . . . . .                 | 27        |
| 8.7       | Trill Hub . . . . .                  | 29        |
| <b>9</b>  | <b>History</b>                       | <b>29</b> |
| <b>10</b> | <b>Source Files and Licenses</b>     | <b>29</b> |
| 10.1      | Commercial Licensing . . . . .       | 30        |
| 10.2      | Trill / Bela Name and Logo . . . . . | 30        |
| 10.3      | Disclaimer . . . . .                 | 30        |

# 1 Overview

Trill is a family of touch sensors designed by the team at Bela. Trill sensors are a convenient way to integrate capacitive touch sensing into interactive projects.

Trill sensors are compatible with any system that supports I<sup>2</sup>C communication.

Visit the Trill libraries repositories to download libraries and examples for working with Linux computers and microcontrollers <sup>1</sup>.

To find the complete Trill documentation as well as a Get Started Guide for multiple platforms, go to <https://bela.io/trill>.

## 1.1 Revision history

This datasheet is for revision C released in 2023. For revisions A and B refer to the relevant datasheet<sup>2</sup>.

# 2 Manufacturer Numbers

Table 1 lists the manufacturer number and the *Global Trade Item Number* (formerly known as *European Article Number*) for each sensor.

**Table 1: Manufacturer Product Numbers**

| Name         | Mfr. No       | GTIN          |
|--------------|---------------|---------------|
| Trill Bar    | 160701-BAR    | 5060821690137 |
| Trill Square | 160702-SQUARE | 5060821690144 |
| Trill Craft  | 160703-CRAFT  | 5060821690151 |
| Trill Hex    | 160704-HEX    | 5060821690168 |
| Trill Ring   | 160705-RING   | 5060821690175 |
| Trill Flex   | 160706-FLEX   | 5060821690212 |
| Trill Hub    | 160707-HUB    | 5060821690205 |

<sup>1</sup>Trill Linux library <https://github.com/BelaPlatform/Trill-Linux>, Trill Arduino library <https://github.com/BelaPlatform/Trill-Arduino>

<sup>2</sup>Trill Rev B datasheet [https://github.com/BelaPlatform/Trill/blob/master/datasheet/REV\\_B/trill\\_datasheet.pdf](https://github.com/BelaPlatform/Trill/blob/master/datasheet/REV_B/trill_datasheet.pdf)

### 3 Trill Sensor Types

There are six Trill sensor types: Bar, Square, Craft, Hex, Ring and Flex. Each Trill type offers a different combination of physical form factor and sensing affordances:

**Table 2: Sensor affordances**

| Trill Type         | Sensing Mode        | Multi-touch?    | CapSense channels |
|--------------------|---------------------|-----------------|-------------------|
| Bar                | 1-axis slider       | Yes             | 26                |
| Square             | 2-axis pad          | No <sup>1</sup> | 30                |
| Craft <sup>2</sup> | 30-channel breakout | Yes             | 30                |
| Hex                | 2-axis pad          | No <sup>1</sup> | 30                |
| Ring               | 1-axis slider       | Yes             | 30                |
| Flex <sup>3</sup>  | 1-axis slider       | Yes             | 30                |

<sup>1</sup> Pseudo-multi-touch is possible on these sensors but due to the matrix arrangement of pads it is not possible to reliably track the position of individual touches when there is more than one present.

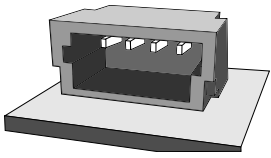
<sup>2</sup> Trill Craft is a 30-channel breakout board for creating custom touch interfaces out of any conductive material.

<sup>3</sup> Trill Flex comes with a single-axis, multi-touch sensor printed on a flexible PCB, which is detachable and can be replaced with a custom flexible PCB sensor. See the tutorial 'Trill: designing a custom flex sensor' <https://learn.bela.io/flex-design>.

### 4 Pinout

Table 3 lists the pinout and applies to Trill Bar, Square, Hex, Ring and Flex. Each of these sensors includes a cable with QWIIC connector<sup>3</sup> that attaches to the sensor and ends in pins that can be plugged into a breadboard or development board.

**Table 3: Cable colour code**

| Pin | Signal                       | Colour <sup>1</sup> | Illustration <sup>2</sup>   |
|-----|------------------------------|---------------------|---|
| 1   | GND                          | Black               |  |
| 2   | V <sub>cc</sub>              | Red                 |   |
| 3   | SDA (I <sup>2</sup> C Data)  | Blue                |   |
| 4   | SCL (I <sup>2</sup> C Clock) | Yellow              |   |

<sup>1</sup> The colour listed is that of wire on the provided QWIIC cable.

<sup>2</sup> From left to right facing the receptacle: Pin 1, 2, 3, 4.

#### 4.1 Additional connections

The Event (EVT) and Reset (RST) signals are available as unpopulated, labelled solder pads. When a voltage is applied to the Reset pin the sensor will reset. The Event pin

<sup>3</sup>4-pin JST SH SM04B-SRSS-TB (Pitch 1mm) <https://www.sparkfun.com/qwiic>

is pulsed by the sensor according to the setting of the EventMode command, as explained in Section 7.5.

The Address pads can be used to change the I<sup>2</sup>C address, see Section 7.1.

Additionally, Trill Ring has two pads on its reverse side labelled A and B which can be used to connect external capacitive pads, such as capacitive buttons. These pads behave in the same way as the channels on Trill Craft: solder a wire to the pads and connect them to any conductive material to create a capacitive touch surface.

## 4.2 Trill Craft

Trill Craft has a total of 30 capacitive sensing pads, one for each channel of sensing (15 castellated pads on each side). Trill Craft also has two SMD pads on the front side labelled 'G' which are connected to GND. The power, I<sup>2</sup>C, RST and EVT signals are available as through-hole pads along the shorter straight edge. See Figure 1.

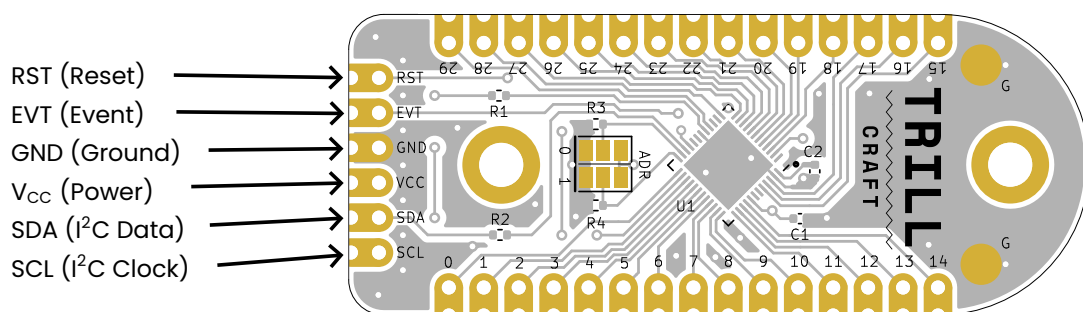


Figure 1: Trill Craft Pinout

## 4.3 Trill Hub

Trill Hub is a passive breakout board for connecting multiple I<sup>2</sup>C devices together. It features 10 QWIC connectors, 2 Grove connectors and 6 sets of 2.54 mm through-hole pads connected in series, in addition to 2.2 kΩ pull-up resistors on the SDA and SCL data lines.

# 5 Electrical specifications

The Trill family of touch sensors uses the Infineon Semiconductor PSoC CY8C20XX6A IC.<sup>4</sup>

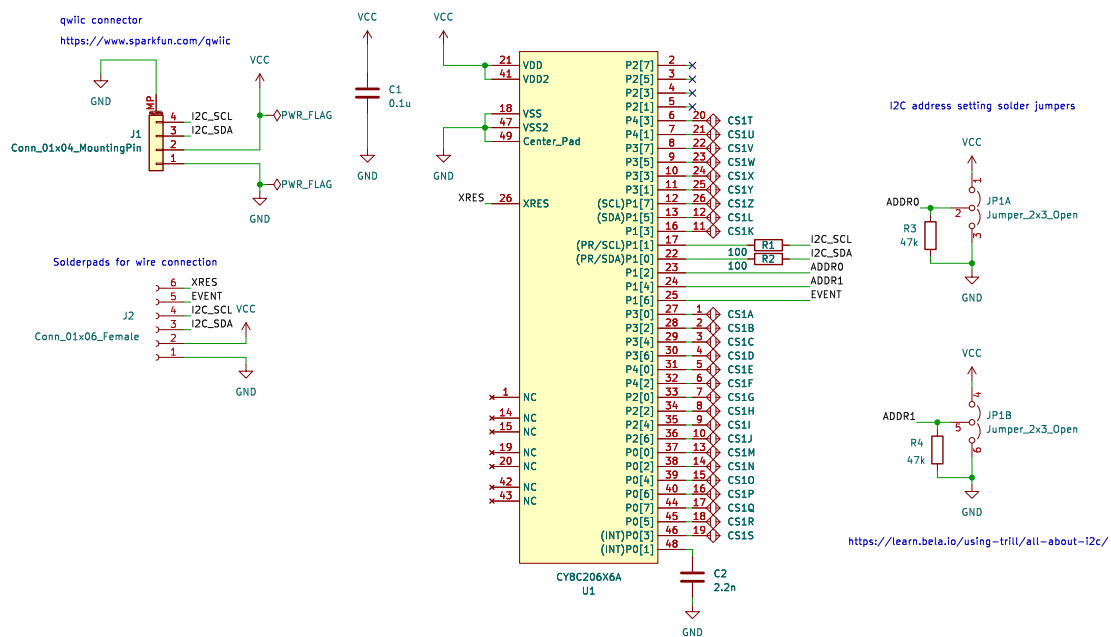
## 5.1 Schematics

<sup>4</sup>CY8C20XX6A/S datasheet, Infineon Semiconductor company, Document number: 001-54459 [https://www.infineon.com/dgdl/Infineon-CY8C20XX6A\\_S\\_1.8\\_V\\_Programmable\\_CapSense\\_Controller\\_with\\_SmartSense\\_Auto-tuning\\_1-33\\_Butons\\_0-6\\_Sliders-DataSheet-v26\\_00-EN.pdf?fileId=8ac78c8c7d0d8da4017d0ecc6dc04671](https://www.infineon.com/dgdl/Infineon-CY8C20XX6A_S_1.8_V_Programmable_CapSense_Controller_with_SmartSense_Auto-tuning_1-33_Butons_0-6_Sliders-DataSheet-v26_00-EN.pdf?fileId=8ac78c8c7d0d8da4017d0ecc6dc04671)

**Table 4: Power and data specifications**

|                                | Unit | Value                        | Condition  |
|--------------------------------|------|------------------------------|------------|
| Operating voltage ( $V_{CC}$ ) | V    | 1.71 V to 5.5 V <sup>1</sup> |            |
| Operating current              | mA   | 4                            | 3.3 V, 5 V |
| I <sup>2</sup> C bus speed     | kHz  | 50/100/400                   |            |

<sup>1</sup> These are the values reported in the CY8C20XX6A/S datasheet. Trill devices have been tested with  $V_{CC} = 3.3\text{ V}$  and  $V_{CC} = 5\text{ V}$ .



**Figure 2: Trill Schematic (Bar), for other sensors see table 6**

**Table 5: CY8C20XX6A common pinout and usage on all Trill sensors**

| Pin number                | Name               | Usage on Trill Sensors         |
|---------------------------|--------------------|--------------------------------|
| 1, 14, 15, 42, 43, 19, 20 | NC (Not connected) |                                |
| 17                        | PI[1]              | I <sup>2</sup> C SCL           |
| 18, 47, Center pad        | V <sub>SS</sub>    | GND                            |
| 21, 41                    | V <sub>DD</sub>    | V <sub>CC</sub>                |
| 22                        | PI[0]              | I <sup>2</sup> C SDA           |
| 23                        | PI[2]              | ADDR0                          |
| 24                        | PI[4]              | ADDR1                          |
| 26                        | XRES               | RESET                          |
| 48                        | PO[1]              | CapSense internal <sup>1</sup> |

<sup>1</sup> CapSense Integrating Capacitor.

**Table 6: CY8C20XX6A pinout and usage on Trill sensors**

| Pin # | Name  | Bar   | Square <sup>1</sup> | Craft <sup>2</sup> | Ring     | Hex <sup>1</sup> | Flex |
|-------|-------|-------|---------------------|--------------------|----------|------------------|------|
| 2     | P2[7] | NC    | R8                  | EVENT              | 1        | R8               | 18   |
| 3     | P2[5] |       | C12                 | 18                 | 2        | C11              | 19   |
| 4     | P2[3] |       | C13                 | 19                 | 3        | C12              | 20   |
| 5     | P2[1] |       | C14                 | 20                 | 4        | C13              | 21   |
| 6     | P4[3] |       | 20                  | C1                 | 21       | 5                | C14  |
| 7     | P4[1] | 21    | R7                  | 22                 | 6        | R7               | 23   |
| 8     | P3[7] | 22    | R8                  | 23                 | 7        | R6               | 24   |
| 9     | P3[5] | 23    | R5                  | 24                 | 8        | R5               | 25   |
| 10    | P3[3] | 24    | R4                  | 25                 | 9        | R4               | 26   |
| 11    | P3[1] | 25    | R3                  | 26                 | 10       | R3               | 27   |
| 12    | P1[7] | 26    | R2                  | 27                 | 11       | R2               | 28   |
| 13    | P1[5] | 12    | C8                  | 28                 | Button B | C8               | 29   |
| 16    | P1[3] | 11    | R1                  | 29                 | Button A | R1               | 30   |
| 25    | P1[6] | EVENT |                     | 0                  | EVENT    |                  |      |
| 27    | P3[0] | 1     | C1                  | 1                  | 12       | C1               | 1    |
| 28    | P3[2] | 2     | C2                  | 2                  | 13       | C2               | 2    |
| 29    | P3[4] | 3     | C3                  | 3                  | 14       | C3               | 3    |
| 30    | P3[6] | 4     | C4                  | 4                  | 15       | C4               | 4    |
| 31    | P4[0] | 5     | C5                  | 5                  | 16       | C5               | 5    |
| 32    | P4[2] | 6     | C6                  | 6                  | 17       | C6               | 6    |
| 33    | P2[0] | 7     | C7                  | 7                  | 18       | C7               | 7    |
| 34    | P2[2] | 8     | R9                  | 8                  | 19       | R10              | 8    |
| 35    | P2[4] | 9     | R10                 | 9                  | 20       | R11              | 9    |
| 36    | P2[6] | 10    | R11                 | 10                 | 21       | R12              | 10   |
| 37    | P0[0] | 13    | R12                 | 11                 | 22       | R13              | 11   |
| 38    | P0[2] | 14    | R13                 | 12                 | 23       | R14              | 12   |
| 39    | P0[4] | 15    | R14                 | 13                 | 24       | R15              | 13   |
| 40    | P0[6] | 16    | R15                 | 14                 | 25       | R16              | 14   |
| 44    | P0[7] | 17    | C9                  | 15                 | 26       | C9               | 15   |
| 45    | P0[5] | 18    | C10                 | 16                 | 27       | C10              | 16   |
| 46    | P0[3] | 19    | C11                 | 17                 | 28       | R9               | 17   |

<sup>1</sup> The two-dimensional sensors Square and Hex have rows and columns.

<sup>2</sup> Craft pins are labelled on the silkscreen and start at index 0.

## 6 Functional overview

The PSoC runs a custom firmware which can be found online<sup>5</sup> and whose behaviour is described in the remainder of this section. This firmware uses the EZ I<sup>2</sup>C Slave library<sup>6</sup> for I<sup>2</sup>C communication and the CapSense Sigma-Delta library<sup>7</sup> for capacitive sensing.

The PSoC firmware's main procedure processes incoming messages received via I<sup>2</sup>C from the host processor, scans the enabled capacitive channels, processes and formats the scan results. A host processor (a processor which can control the I<sup>2</sup>C bus, such as a microcontroller, single board computer, or any other compatible system) sends commands, retrieves responses and accesses the scan data via the I<sup>2</sup>C bus, accessing 64 bytes of the PSoC's RAM. The layout and contents of this shared RAM buffer are described in Section 7.3.

There are up to 30 capacitive channels on each sensor, as listed in Table 2. The firmware uses the CSD library to scan the capacitive sensing channels. Any time a function or variable name prefixed with CSD\_ is mentioned in the remainder of this document, we refer the reader to the CSD library documentation for further details.

### 6.1 Operating modes

A Trill sensor can operate in any of the following modes:

- **Centroid mode** processes the readings of the individual capacitive sensing channels taking into account the geometry and layout of the sensing pads on the circuit board in order to compute the position and size of discrete touch points via a Trill-specific moving average algorithm. The reported size of a touch is a measure of the total activation measured on the sensing channels that contribute to the touch. This mode uses the differential capacitive readings stored in CSD\_waSnsDiff but it does not use any of the CSD library's centroid or slider features.
- **Raw mode** the sensor transmits the raw capacitance values from CSD\_waSnsResult
- **Baseline mode** the sensor transmits the baseline capacitance values from CSD\_waSnsBaseline. The baseline is used as a reference value for when the device is in Differential or Centroid mode.
- **Differential mode** the sensor transmits the difference between the raw and baseline capacitive readings after applying a noise threshold, as given by CSD\_waSnsDiff.

Differential mode is the default on Trill Craft and is the mode that would normally be used to sense activity on individual capacitive pads. Centroid mode is the default mode for all other sensor types and it is the mode that is used to sense touch location and size on these devices. Raw and Baseline modes are normally used only for testing and debugging. For Trill Craft and for Trill Flex, when the sensor is set in

<sup>5</sup><https://github.com/BelaPlatform/Trill>

<sup>6</sup>Cypress Semiconductor Corporation, EZ I<sup>2</sup>C Slave v1.20 [https://www.infineon.com/dgdl/Infineon-Component\\_EZI2C\\_Slave\\_V1.20-Software+Module+Datasheets-v02\\_00-EN.pdf?fileId=8ac78c8c7d0d8da4017d0e7f54ef11e](https://www.infineon.com/dgdl/Infineon-Component_EZI2C_Slave_V1.20-Software+Module+Datasheets-v02_00-EN.pdf?fileId=8ac78c8c7d0d8da4017d0e7f54ef11e)

<sup>7</sup>Cypress Semiconductor Corporation, CapSense® Sigma-Delta Datasheet CSD v2.20 [https://www.infineon.com/dgdl/Infineon-CapSense\\_Sigma-Delta\\_Datasheet\\_CSD-Software%20Module%20Datasheets-v02\\_02-EN.pdf?fileId=8ac78c8c7d0d8da4017d0f9f5d9b0e82](https://www.infineon.com/dgdl/Infineon-CapSense_Sigma-Delta_Datasheet_CSD-Software%20Module%20Datasheets-v02_02-EN.pdf?fileId=8ac78c8c7d0d8da4017d0f9f5d9b0e82)

Centroid mode it expects the capacitive channels to be connected in sequential order to sensing pads placed in a linear fashion, similar to the sensing pads on Trill Bar or on the flexible PCB that comes with Trill Flex. If using a different geometry for the sensing surface, the Differential mode should be used and the host processor should read the scan data for each channel and perform any further processing itself.

## 6.2 Timing characteristics

Once the scanning of the sensor channels is triggered, the scan is performed, an operation that can take several milliseconds. Once completed, the results are atomically placed into the shared memory buffer and the EVT pin may be set high depending on the current settings.

### 6.2.1 Scan trigger

A full scan of all enabled sensor channels can be triggered when an I<sup>2</sup>C read transaction takes place or when a customisable timer expires. The `ScanTrigger` command is used to set whether either, neither or both of these conditions are enabled, while the `AutoScanTimer` command is used to set the period of the timer.

When the scan trigger on I<sup>2</sup>C is enabled, a new scan is started as soon as a new I<sup>2</sup>C read transaction starts. When the scan trigger on a timer is enabled, the timer is restarted at the beginning of each scan and a new scan is started when the timer expires. If the timer expires while a scan is still ongoing, a new scan will be started as soon as the processing of the current one is completed.

### 6.2.2 Acquisition time

**Table 7: Scan times for each capacitive channel for different scan settings.**  
Times in  $\mu s$ .

| Bits <sup>2</sup> | Scan speed setting <sup>1</sup> |                |                  |                |
|-------------------|---------------------------------|----------------|------------------|----------------|
|                   | CSD_ULTRA_FAST_SPEED            | CSD_FAST_SPEED | CSD_NORMAL_SPEED | CSD_SLOW_SPEED |
| 9                 | 57                              | 78             | 125              | 205            |
| 10                | 78                              | 125            | 205              | 380            |
| 11                | 125                             | 205            | 380              | 720            |
| 12                | 205                             | 380            | 720              | 1400           |
| 13                | 380                             | 720            | 1400             | 2800           |
| 14                | 720                             | 1400           | 2800             | 5600           |
| 15                | 1400                            | 2800           | 5600             | 11000          |
| 16                | 2800                            | 5600           | 11000            | 22000          |

<sup>1</sup> These are the values available to the `ScanSettings` command and the `CSD_SetScanMode()` function.

<sup>2</sup> Resolution.

The time it takes to perform a scan of all enabled channels on the device depends on the number of enabled channels, the bit resolution and scanning speed. Table 7 details the scan duration for each combination of speed and resolution settings

for each of the capacitive sensing channels on your device. To calculate the overall scan time, find the scan time relative to the current settings in the table and multiply it by the number of enabled channels on the sensor.

Each sensing channel can be enabled or disabled via dedicated commands. Disabling scanning for unused channels is recommended in order to reduce overall scanning and required data transfer time. Channels should not be disabled when the device is in Centroid mode, as this will disrupt the touch detection routine.

The minimum achievable sampling period for a Trill sensor is largely limited by the scan time, with the addition of the additional time required by the PSoC firmware to handle the logic and formatting of data. The actual additional time depends on the number of enabled channels and data format settings, but it is normally below 1 ms.

### 6.2.3 EVT pin

For each completed scan the sensor evaluates whether any activity is present in the data. In Centroid mode, activity is present any time a touch is detected. In the other modes, activity is present if any of the channel data is non-zero. If activity was detected in a given set of scan data, the corresponding bit in the Status byte will also be set (see Section 7.6).

The `EventMode` command allows to set under what condition the EVT pin should go high when a scan has completed. When set to `EventModeTouch`, the EVT pin goes high if activity is detected in the current scan. When set to `EventModeChange`, the EVT pin goes high if activity is detected in the current or past scan. When set to `EventModeAlways`, the EVT pin goes high after every scan, regardless of whether activity is detected or not.

Once the data from a new scan has been placed into the memory buffer, the EVT pin will go high if the conditions above are met. The host processor can monitor the EVT pin and start a new I<sup>2</sup>C read transaction to access the scan data upon detecting a positive edge on the pin. The EVT pin stays high until the next scan has completed. As soon as the scanning routine has completed and just before performing any post-processing or formatting on the data, the EVT pin goes low. If a new scan is triggered to start immediately after the previous one, then the EVT pin will spend less than 1 ms in the low state before going high again.

### 6.2.4 Use cases

We highlight here possible use cases that illustrate how the flexibility of the Trill sensor can be leveraged in applications with one or more sensors, allowing to prioritise latency, sampling rate, I<sup>2</sup>C bus use, host processor pin use, power usage.

A typical use case is reading one or more Trill sensors on the I<sup>2</sup>C bus using the minimal number of connections. As many sensors as permitted by the combinations of address pins can be used on the same bus by only using the SDA and SCL lines. The host processor should set each sensor's `ScanTrigger` command to scan on I<sup>2</sup>C transaction only, and then start reading all connected sensors periodically based on an internal timer. When the host processor starts a read, it will simultaneously trigger a new scan on the sensor and for any transaction the data being read will be the data from the scan that started when the previous read started and continued while the previous read was in progress. Typically, a read of the full data takes less than the acquisition time, so in order to avoid reading duplicated frames, the host controller's timer should be set so that the same sensor is not read more often than its acquisition time. If set too low, this may result in duplicated reads of the scan

data, which can be detected by reading and monitoring the Status byte. This is the only approach that guarantees that several sensors will be scanned at the same interval, with no drifting between them.

If the highest possible sampling rate and lowest possible latency is desired and the host processor has the capability to monitor the EVT pin and to quickly start an I<sup>2</sup>C read transaction as soon as it detects a rising edge, then the host should set `ScanTrigger` to scan on I<sup>2</sup>C transaction only and the EVT pin to go high after every scan. The host controller would then start by reading the data from the sensor once. This will trigger a scan which in turn will trigger the EVT pin. The host controller should monitor the EVT pin and start a new read every time it detects a rising edge. The sampling rate here is set by the sensor's acquisition time combined with the host processor's response time, as the new scan is triggered by the start of the I<sup>2</sup>C read transaction. Because of these constraints it is complicated to extend this approach to multiple sensors.

A similarly high sampling rate, but with variable latency and support for multiple sensors can be achieved without the need for monitoring the EVT pin, or by monitoring it without needing to respond quickly. Set the `ScanTrigger` to timer and set `AutoScanTimer` to the minimum value, if the maximum sampling rate is desirable, or to a larger value suitable for the application. If the host controller can monitor the EVT pin for each sensor, it should read data from each sensor after detecting a rising edge on the respective pin. This time, how fast it responds will not affect the sampling rate of the scanning data, and it can read the data at any point before the next rising edge of the EVT pin. If the host processor only cares about whether activity was detected in a scan before reading it, it can use the `EventMode` command accordingly. If the host processor cannot monitor the EVT pin for each sensor, it should periodically read data from each sensor to verify whether new scan data is available. This polling will have to take place more often than the acquisition time of the sensor in order to avoid missing frames, however it should not occur too often or it will slow down the sensor during acquisition. This is best achieved by only reading the Status byte, evaluating its content to verify whether this is a new scan and whether activity was detected, in which case the host can proceed with a new read of the full Payload. Note that each sensor will have a slightly different scan time, so the host should be prepared to handle drifting timing. This case can extend to applications where many sensors are in use and reading the full scan data from them at the desired sampling rate at all times would be limited by the bandwidth available on the I<sup>2</sup>C bus rather than by the acquisition time, using either polling of the Status byte or monitoring of the EVT pin. As long as not all sensors show activity at the same time, the host may be able to scan only the active ones while keeping a high sampling rate.

When the host processor expects long waits between bursts of activity on one or more sensors and wants to limit its own, or the sensor's, power consumption, and it can tolerate a slight delay when activity starts being detected, the user can connect the EVT pin to a wake-up capable pin of the host controller. The host controller would then set `EventMode` to `EventModeChange`, `ScanTrigger` to timer and a timer interval compatible with its latency requirements before entering low-power mode. Once activity is detected by the sensor, it will set the EVT pin high, waking up the host processor. This will continue scanning and processing incoming data on each rising edge of the EVT pin. Because of `EventModeChange`, the last rising edge will occur when no activity was detected in the scan data, at which point the host processor can go back into low-power mode, waiting for the next burst of activity.

## 7 Communication

A host processor can communicate with the Trill sensor using the I<sup>2</sup>C protocol, over the SDA and SCL lines. These lines are connected directly to the SDA and SCL pins of the Infineon CY8C20XX6A PSoC (Programmable System on Chip) IC located on the Trill sensor, so for the rest of this section we will refer to the PSoC directly. More details about the I<sup>2</sup>C protocol, including timing information, can be found in the CY8C20XX6A datasheet (see Footnote 4).

No pull up resistors for the SDA or SCL lines are installed on the sensors themselves. When using Trill sensors without Trill Hub (which uses 2.2 kΩ resistors) it is the user’s responsibility that pull ups on these lines are provided where required. More information on dimensioning pullup resistors can be found in the Texas Instruments Application Report SLVA689.<sup>8</sup>

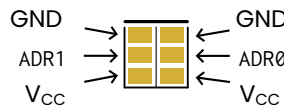
### 7.1 I<sup>2</sup>C addresses

The address of a Trill sensor on the I<sup>2</sup>C bus is determined by the default base address (which is different for each Trill sensor type) and by the state of the two address pins. These can be either left floating or connected to one of GND or V<sub>CC</sub>.

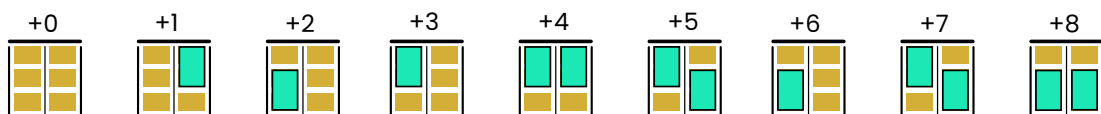
The addresses available for each device type are listed in Table 8.

#### Setting the I<sup>2</sup>C address

In order to use more than 1 of any single sensor type on a single I<sup>2</sup>C bus, you’ll have to change the address of each additional sensor so they can be unequivocally addressed on the bus. Each Trill sensor has six solder pads which can be bridged together with solder in various configurations to change the sensor’s address.



**Figure 3: Address setting solder jumpers. Notice the thicker and separated line indicating the side with the GND pads.**



**Figure 4: Setting the solder pad addresses**

By connecting with a solder joint each of the ADR<sub>0</sub> and ADR<sub>1</sub> to GND or V<sub>CC</sub>, or leaving it unconnected, you can set the address of the sensor. The six solder pads are divided into two groups of three, labelled ADR<sub>0</sub> and ADR<sub>1</sub>. The three pads in each group are unconnected by default, but the middle pad of the group can be connected to one of the adjacent pads to change the I<sup>2</sup>C address. Do not connect all three pads together. The connections required to obtain the addresses available for each sensor type are shown in Table 8.

<sup>8</sup>Texas Instruments Application Report SLVA689 I2C Bus Pullup Resistor Calculation <https://www.ti.com/lit/an/slva689/slva689.pdf>

**Table 8: Address pad connections and resulting addresses.**  
**NC: not connected; L: connected to GND; H: connected to V<sub>CC</sub>**

| ADR1            | ADR0 | Offset | Trill Bar | Trill Square | Trill Craft | Trill Ring | Trill Hex | Trill Flex |
|-----------------|------|--------|-----------|--------------|-------------|------------|-----------|------------|
| NC <sup>1</sup> |      | +0     | 0x20      | 0x28         | 0x30        | 0x38       | 0x40      | 0x48       |
| NC              | L    | +1     | 0x21      | 0x29         | 0x31        | 0x39       | 0x41      | 0x49       |
| NC              | H    | +2     | 0x22      | 0x2A         | 0x32        | 0x3A       | 0x42      | 0x4A       |
| L               | NC   | +3     | 0x23      | 0x2B         | 0x33        | 0x3B       | 0x43      | 0x4B       |
| L               | L    | +4     | 0x24      | 0x2C         | 0x34        | 0x3C       | 0x44      | 0x4C       |
| L               | H    | +5     | 0x25      | 0x2D         | 0x35        | 0x3D       | 0x45      | 0x4D       |
| H               | NC   | +6     | 0x26      | 0x2E         | 0x36        | 0x3E       | 0x46      | 0x4E       |
| L               | H    | +7     | 0x27      | 0x2F         | 0x37        | 0x3F       | 0x47      | 0x4F       |
| H               | H    | +8     | 0x28      | 0x30         | 0x38        | 0x40       | 0x48      | 0x50       |

<sup>1</sup> No solder jumper bridged (+0 offset) is the default address for the sensors.

## 7.2 Writing and reading data

When writing to the PSoC, the first byte written by the host processor in a transaction is the memory offset at which the write of the following bytes in the same transaction starts; it is also the memory offset from which future read transactions will start. A write transaction consisting of a single byte can be used to set the offset from which future read transactions will start. If the host processor tries to write to an offset outside the R/W section of the memory or read from an offset outside the available memory, the PSoC will trigger a Not Acknowledge condition on the I<sup>2</sup>C bus and ignore the rest of the transaction until the host processor issues a new start condition.

## 7.3 Memory map

**Table 9: Map of the PSoC’s memory that is accessible by the host processor over the I<sup>2</sup>C bus**

| Offset      | 0        | 1        | 2        | 3      | 4         | 5         | ... | 63         |
|-------------|----------|----------|----------|--------|-----------|-----------|-----|------------|
| Access Mode | R/W      | R/W      | R/W      | R/O    | R/O       | R/O       | ... | R/O        |
| Host Writes | Cmd code | Cmd arg0 | Cmd arg1 | x      | x         | x         | x   | x          |
| Host Reads  | Ack code | Ack arg0 | Ack arg1 | Status | Payload 0 | Payload 1 | ... | Payload 59 |

The shared RAM buffer exposed by the PSoC to the host processor over I<sup>2</sup>C is organised as follows: Bytes 0 to 2 is the command and acknowledgement region and it support both reads and writes (R/W) from the host processor. Byte 3 is the status byte and is read-only (R/O) for the host processor. Bytes 4 to 63 is the payload region of the memory and are R/O for the host processor.

## 7.4 Commands and acknowledgements

To send commands to the PSoC, the host processor writes between one and three bytes to offset 0 in a single I<sup>2</sup>C transaction. The first byte of a command is the command's code, to which 0, 1 or 2 command-specific bytes follow depending on the command, as detailed in Section 7.5.

When the PSoC has processed the command, it writes an acknowledgement message to offset 0 so that the host processor can read it back. The time it takes for the PSoC to process the command and prepare the acknowledgement message depends on the command and the scanning settings.

After writing a command, in order to ensure that it has been received and processed, the host processor should repeatedly poll the PSoC memory by reading 3 bytes from offset 0, waiting for a valid acknowledgement message to appear, which signals that the PSoC is ready to receive the next command.

The acknowledgement message is comprised of three bytes: [ACK BYTE0 BYTE1]. The ACK byte is 254 (0xFE). When a command requires a response, BYTE0 and BYTE1 are the payload of the response. When a command doesn't require a response, BYTE0 is the command code that was written by the host to offset 0 in the command that this acknowledgement refers to, and BYTE1 is an 8-bit counter that is incremented by one for each command that the PSoC receives (regardless of whether a response is required or not), and is reset to 0 when the PSoC is reset or when the counter wraps around. By monitoring and keeping track of the value of the counter byte, the host processor can detect unexpected resets of the PSoC. The acknowledgement message only notifies the host processor that the command was received and processed, but it does not provide any information regarding the command's validity or that of its arguments. It is the host processor's responsibility to validate that.

## 7.5 Command list

The commands supported by the revision C of the Trill sensor family are listed in Table 10 and explained below. The processing of some of these commands results in a function call to the CSD API of the CapSense Sigma-Delta library which is used on the Trill sensor to scan the capacitive sensing channels on board the PSoC.

**Mode command: 1 (0x01)** Sets the mode in which the sensor processes and transmits the data read from its capacitive sensing channels. A detailed description of the available modes is available in Section 6.1.

The argument byte can assume one of the following values:

- 0 (0x00): Centroid. This is the default for all sensors except Trill Craft.
- 1 (0x01): Raw
- 2 (0x02): Baseline
- 3 (0x03): Differential. This is the default for Trill Craft.

**ScanSettings command: 2 (0x02)** Sets scanning speed and resolution.

The first argument byte is speed and can assume one of the following values:

- 0 (0x00): CSD\_ULTRA\_FAST\_SPEED

**Table 10: Command list**

| Name                           | Command code | Number of argument bytes | Requires response |
|--------------------------------|--------------|--------------------------|-------------------|
| Mode                           | 1 (0x01)     | 1                        | no                |
| ScanSettings                   | 2 (0x02)     | 2                        | no                |
| Prescaler                      | 3 (0x03)     | 1                        | no                |
| NoiseThreshold                 | 4 (0x04)     | 1                        | no                |
| Idac                           | 5 (0x05)     | 1                        | no                |
| UpdateBaseline                 | 6 (0x06)     | 0                        | no                |
| MinimumSize                    | 7 (0x07)     | 2                        | no                |
| AdjacentCentroidNoiseThreshold | 8 (0x08)     | 2                        | no                |
| EventMode                      | 9 (0x09)     | 1                        | no                |
| ChannelMaskLow                 | 10 (0x0A)    | 2                        | no                |
| ChannelMaskHigh                | 11 (0x0B)    | 2                        | no                |
| Reset                          | 12 (0x0C)    | 0                        | no                |
| Format                         | 13 (0x0D)    | 2                        | no                |
| AutoScanTimer                  | 14 (0x0E)    | 2                        | no                |
| ScanTrigger                    | 15 (0x0F)    | 1                        | no                |
| Identify                       | 255 (0xFF)   | 0                        | yes               |

- 1 (0x01): CSD\_FAST\_SPEED
- 2 (0x02): CSD\_NORMAL\_SPEED
- 3 (0x03): CSD\_SLOW\_SPEED

The second argument byte is the resolution in bits and can be any integer value between 9 and 16.

The arguments are passed to CSD\_SetScanMode(). Defaults are 0 (CSD\_ULTRA\_FAST\_SPEED) for speed and 12 for resolution.

**Prescaler command: 3 (0x03)** Sets the prescaler value.

The argument byte is passed to CSD\_SetPrescaler() and it can assume one of the following values:

- 0 (0x00): CSD\_PRESCALER\_1 sets prescaler to 1
- 1 (0x01): CSD\_PRESCALER\_2 sets prescaler to 2
- 2 (0x02): CSD\_PRESCALER\_4 sets prescaler to 4
- 3 (0x03): CSD\_PRESCALER\_8 sets prescaler to 8
- 4 (0x04): CSD\_PRESCALER\_16 sets prescaler to 16
- 5 (0x05): CSD\_PRESCALER\_32 sets prescaler to 32
- 6 (0x06): CSD\_PRESCALER\_64 sets prescaler to 64
- 7 (0x07): CSD\_PRESCALER\_128 sets prescaler to 128
- 8 (0x08): CSD\_PRESCALER\_256 sets prescaler to 256

Default value is 4 on Trill Bar and 2 on all other sensors.

**NoiseThreshold command: 4 (0x05)** Sets the noise threshold for the sensing channels.

The argument byte is used to set `CSD_bNoiseThreshold`. Default value is 40.

**Idac command: 5 (0x05)** Sets the iDAC value.

The argument byte is passed to `CSD_SetIdacValue()`. Default value is 20.

**UpdateBaseline command: 6 (0x06)** Updates the baseline values. It results in a complete sensor scan followed by a call to `CSD_InitializeBaselines()`.

**MinimumSize command: 7 (0x07)** When the sensor is in Centroid mode, this command sets the minimum size that a centroid has to have in order to be considered a valid touch.

The two argument bytes are interpreted as a 16-bit Big-Endian word representing the centroid size. Default value is 0.

**AdjacentCentroidNoiseThreshold command: 8 (0x08)** When the sensor is in Centroid mode, this command sets the noise threshold to detect a through between two adjacent touches.

The two argument bytes are interpreted as a 16-bit Big-Endian word representing the noise threshold. Default value is 400.

**EventMode command: 9 (0x09)** This command sets under what conditions the EVT pin should be pulsed high after the data from a new scan is ready.

The argument byte can assume one of the following values:

- 0 (0x00): `EventModeTouch`, the EVT pin goes high every time activity is detected in the data of the current scan (default)
- 1 (0x01): `EventModeChange`, the EVT pin goes high every time activity is detected in the data of the current or previous scan
- 2 (0x02): `EventModeAlways`, the EVT pin goes high after every scan, regardless of whether activity is detected or not

**ChannelMaskLow command: 10 (0x0A)** Each capacitive channel on the sensor can be individually enabled or disabled by setting the respective bits in a 32-bit channel mask. If a bit is 1 the corresponding channel will be scanned and its data made available for the host processor to read. If a bit is 0 the channel will not be scanned and its data will not be made available for the host processor to read. There are always fewer than 32 channels on each sensor, as shown in Table 2 and any bit indexes higher than the number of available channels will be ignored. By default the channel mask is set to `0xFFFFFFFF` (all channels enabled). When the device is in Centroid mode, the channel mask should be set to its default value. See section 7.7 for more details on how disabling a channel affects the data stored in the Payload region.

The `ChannelMaskLow` command sets the channel mask for the lowest 16 channels. See Table 11 for more details.

The first argument byte is the mask for sensing channels 8 through 15.

The second argument byte is the mask for sensing channels 0 through 7.

**Table 11: Map of the channel mask**

| Command Code  | ChannelMaskHigh 11 (0x0B) |       | ChannelMaskLow 10 (0x0A) |      |
|---------------|---------------------------|-------|--------------------------|------|
|               | 0                         | 1     | 0                        | 1    |
| Argument Byte | 31:24                     | 23:16 | 15:8                     | 7:0  |
| Mask Bits     | 0xFF                      | 0xFF  | 0xFF                     | 0xFF |
| Default Value |                           |       |                          |      |

**ChannelMaskHigh command: 11 (0x0B)** Sets sensing channel mask for the highest 16 channels. See Table 11 for more details.

The first argument byte is the mask for sensing channels 24 through 31.

The second argument byte is the mask for sensing channels 16 through 23.

**Reset command: 12 (0x0C)** Performs a reset of the PSoC by restoring the CPU to the power-on reset state.

**Format command: 13 (0x0D)** Sets the format in which the data for individual sensing channels is made available to the host processor. This does not affect the format of data in Centroid mode.

The first argument byte sets the data width (in bits) and can assume one of the values: 8, 12, 16 (defaults to 16).

The second argument sets the amount of positions to right shift the value by before storing it in the allocated data width (defaults to 0). See Section 7.7 for more details.

**AutoScanTimer command: 14 (0x0E)** Sets the period of an internal timer that can be used to automatically scan and process the capacitive sensing channels. The effective minimum scanning period will be limited by the scanning speed, bit depth and any computation happening on the device. The interval set with this command are only used if the ScanTrigger command is set to 2 or 3.

The values of the two argument bytes, when multiplied together, give the number of periods of an internal 32 kHz clock after which a new scan is triggered; if either is set to 0, the timer is disabled. The nominal scanning period, expressed in seconds, is therefore given by  $\text{byte0} * \text{byte1} / 32000$ . Note that the 32 kHz clock (the ILO clock of the PSoC) can deviate more than 10% from its nominal frequency, correspondingly affecting the accuracy of the period set here.

**ScanTrigger command: 15 (0x0F)** Set how the sensor triggers a new scan of its capacitive channels.

The argument byte can assume one of the following values:

- 0 (0x00): scanning is disabled
- 1 (0x01): start a new scan after every I<sup>2</sup>C transaction (default)
- 2 (0x02): start a new scan when the time interval specified with the AutoScanTimer command has elapsed since the last scan.
- 3 (0x03): start a new scan after every I<sup>2</sup>C transaction or when the time interval specified with the AutoScanTimer command has elapsed since the last scan.

**Identify command: 255 (0xFF)** Ask the sensor to return its type and firmware version. This command requires a response, therefore once the command has been processed, the command buffer will contain the following bytes: [ACK SENSOR\_TYPE FW\_VERSION] where ACK is 254 (0xFE), FW\_VERSION is 3 (0x03) and SENSOR\_TYPE is one of the following:

- 1 (0x01): Bar
- 2 (0x02): Square
- 3 (0x03): Craft
- 4 (0x04): Ring
- 5 (0x05): Hex
- 6 (0x06): Flex

## 7.6 Status byte

The byte at offset 3 is the status byte which contains details about the scan data currently present in the Payload region and the state of the device.

Bits 5:0 contain the `frameId`, a counter which is incremented every time the results of a new scan are made available on the I<sup>2</sup>C bus. By reading the `frameId`, the host processor can detect duplicated or dropped scans.

Bit 6 of the status byte is set to 1 if any activity was detected in the current scan, or 0 otherwise. See Section 6.2.3 for more information about detected activity.

Bit 7 is a bit that is set to 0 upon reset and set to 1 after an Identify message is received. The host processor can monitor this bit to detect an unexpected reset of the PSoC.

## 7.7 Payload

The memory region starting at offset 4 contains the payload data obtained from scanning and processing the capacitive channels on the PSoC. The format and length of this section depend on the Trill sensor type, the mode the sensor is in (as set by the Mode command), the number of active sensing channels (as set by the `SensorMaskLow` and `SensorMaskHigh` commands) and the transmission width (as set by the Format command).

### 7.7.1 Centroid mode

The data in the Payload region represents the touch location and size for each of the touches that the device can detect. Each touch is described by 4 bytes, where the first 2-byte word represents the touch location and the second 2-byte word represents the touch size. Each word represents a 16-bit unsigned integer in Big Endian format. Touch location and size values for each touch are stored in contiguous memory, starting from the beginning of the Payload region, ordered from the first to the last touch for each sensing axis. Devices with two axes of sensing (Trill Square, Trill Hex) store vertical touches first, followed by horizontal touches. The readings of the two exposed pads on Trill Ring are stored after the touch values as a 16-bit unsigned integers in Big Endian format.

The memory offset for the start of the location data for a given touch  $n$  is  $p + 4n$ , where  $p = 4$  is the offset of the Payload region. Table 12 details the memory map for the first two touches.

The size of valid data (in bytes) in the Payload memory region for a sensor which provides a total of  $N$  touches across the two axes and  $E$  extra pads is  $M = 4N + 2E$ . The host processor should read  $M$  bytes starting at offset 4 to retrieve the full touch data. The number of available touches and the corresponding data size ( $M$ ) for each sensor type in Centroid mode is shown in Table 13.

**Table 12: Map of the payload memory when the sensor is in Centroid mode**

|        |          |     |      |     |          |     |      |     |     |
|--------|----------|-----|------|-----|----------|-----|------|-----|-----|
| Offset | 4        | 5   | 6    | 7   | 8        | 9   | 10   | 11  | ... |
| Touch  | 0        |     |      |     | 1        |     |      |     | ... |
| Value  | Location |     | Size |     | Location |     | Size |     | ... |
| Bits   | 15:8     | 7:0 | 15:8 | 7:0 | 15:8     | 7:0 | 15:8 | 7:0 | ... |

**Table 13: Content of the Payload buffer in Centroid mode for each Trill sensor**

| Trill type | Vertical touches | Horizontal touches | Extra pads | Data length ( $M$ ) |
|------------|------------------|--------------------|------------|---------------------|
| Bar        | 5                | 0                  | 0          | 20                  |
| Square     | 4                | 4                  | 0          | 32                  |
| Craft      | 5                | 0                  | 0          | 20                  |
| Ring       | 5                | 0                  | 2          | 24                  |
| Hex        | 4                | 4                  | 0          | 32                  |
| Flex       | 5                | 0                  | 0          | 20                  |

The touch location value ranges between 0 and  $128 * (n - 1)$ , where  $n$  is the number of capacitive pads on the sensing axis. The touch size value is the sum of the differential readings for all pads assigned to the touch. The special value 65535 (0xFFFF) is used to denote the location and size values of inactive touches.

### 7.7.2 Raw, Baseline or Diff mode

The data in the Payload region represents the amount of capacitive activation on the corresponding sensing channel. Values of all enabled channels are stored contiguously in the memory buffer. If a channel is disabled in the channel mask, its value is removed from the buffer and following channels are brought forward so that no gap is present in the buffer.

Each channel reading is stored using a data width (8, 12, or 16 bits) as set by the first argument of the Format command (default is 16). A right shift operation by the number of bits specified via the second argument of the Format command (default is 0) is applied to the value before it is stored in the available bits. The value for a given channel prior to the right shift ranges between 0 and  $2^n - 1$ , where  $n$  is the bit resolution set via the ScanSettings command (defaults to 12). If the result of the right shift would overflow if stored in the available bits, it is saturated to the maximum value that can be stored.

For a data width of 8 bits each channel's data is stored in one byte. For a data width of 12 bits the data from a pair of sensing channels occupies a total of 3 bytes:

- Bits 7:0 of the first byte represent bits 11:4 of the 12-bit value of the first channel in the pair.
- Bits 3:0 of the second byte represent bits 3:0 of the 12-bit value of the first channel in the pair.
- Bits 7:4 of the second byte represent bits 11:8 of the 12-bit value of the second channel in the pair.
- Bits 7:0 of the third byte represent bits 7:0 of the 12-bit value of the second channel in the pair.

For a data width of 16 bits each sensing channel's data occupies 2 bytes and is stored as an unsigned integer in Big Endian format.

**Table 14: Map of the payload memory when the sensor is in Raw, Baseline or Diff mode and the data width is 8 bits.**

|                 |     |     |     |     |     |
|-----------------|-----|-----|-----|-----|-----|
| Memory Offset   | 4   | 5   | 6   | 7   | ... |
| Memory Bits     | 7:0 | 7:0 | 7:0 | 7:0 | ... |
| Sensing Channel | 0   | 1   | 2   | 3   | ... |
| Bits in word    | 7:0 | 7:0 | 7:0 | 7:0 | ... |

**Table 15: Map of the payload memory when the sensor is in Raw, Baseline or Diff mode and the data width is 12 bits.**

|                 |      |           |     |     |     |
|-----------------|------|-----------|-----|-----|-----|
| Source Offset   | 4    | 5         | 6   | ... |     |
| Source Bits     | 7:0  | 7:4   3:0 | 7:0 | ... |     |
| Sensing Channel | 0    | 1         | 0   | 1   | ... |
| Bits in word    | 11:4 | 11:8      | 3:0 | 7:0 | ... |

**Table 16: Map of the payload memory when the sensor is in Raw, Baseline or Diff mode and the data width is 16 bits.**

|                 |      |     |      |     |     |
|-----------------|------|-----|------|-----|-----|
| Memory Offset   | 4    | 5   | 6    | 7   | ... |
| Memory Bits     | 7:0  | 7:0 | 7:0  | 7:0 | ... |
| Sensing Channel | 0    |     | 1    |     | ... |
| Bits in word    | 15:8 | 7:0 | 15:8 | 7:0 | ... |

## 7.8 Typical operation

Examples of host processor libraries for using with Trill are available online (see Footnote 1). These take care of the low-level communication detail and expose a user-friendly C++ API which allows to send the commands from 7.5, retrieves scan and touch data and parses them into C++ data types. Users of these libraries should not need to worry about the details of the communication or the examples in this section and should refer to the documentation and examples provided with the library.

This section is meant for those users intending to communicate with Trill sensors without using the provided libraries. It includes examples of barebones I<sup>2</sup>C communication written in pseudo-code to be used as a reference for implementing communication.

We briefly summarise the salient characteristics of I<sup>2</sup>C communication between a host processor and a Trill sensor:

- in each write transaction, the first byte is the offset at which the following bytes are written or successive reads start from.
- Commands are written to offset 0 (0x00) and have length 1, 2 or 3
- Acknowledgements are read from offset 0 (0x00) and have length 3
- Status byte is read from offset 3 (0x03) and has length 1
- Payload data starts from offset 4 (0x04) and has variable length

A typical interaction of a host processor with a Trill sensor involves writing commands to the command region to set up the sensor's scanning properties, reading back acknowledgements to verify commands have been processed and ascertain the device type and its firmware revision number.

After this initial setup, the sensor must be prepared for reading scan data by writing a single byte with the value of 3 or 4, corresponding to the offsets of the Status byte and Payload region, respectively, depending on whether the host processor intends to read the status byte while reading data or not. From that point on, successive reads of the appropriate length will return the content of the data region.

### 7.8.1 Code listing 1

Communication between a host processor and a Trill Bar at default address 0x20. Default values are used, so the sensor is already in Centroid mode. The host processor reads data for up to 5 touches and ignores the status byte.

```
// pseudo-code
// write() and read() calls should perform a write or read transaction
// on the I2C bus at address 0x20.

// Write the identify command
write([0, 0xFF])

uint8 arr[3]
// Poll and wait to read the identify acknowledgement
do { read(arr, 1) } while (arr[0] != 0xFE)
sensor_type = arr[1] // should verify that it is 0x01: Trill Bar
fw_revision = arr[2] // should verify that it is 3

// To start reading data, write the offset from which we want to read from.
// This is 4 as we start from the Payload memory region
write([4])

// Repeatedly read the touch data for 5 touches (4 byte each, 20 bytes total)
while(1) {
    uint8 data[20]
    read(data, 20)
    // here, parse and handle touches
    // wait before the next read to allow
    // the sensor to perform a new scan
    sleepMs(10)
}
```

## 7.8.2 Code listing 2

Communication between a host processor and a Trill Craft at default address 0x30. The sensor is set into Differential mode, the prescaler value is adjusted and the bit resolution increased to 16. Only capacitive channels 7 through 20 are enabled, all other channels are disabled in the channel mask. The sensor is then set to scan automatically every 50 ms. The host processor polls the status byte every 30 ms to verify whether the current scan is a new scan and has detected activity, in which case it performs a full read of the Status byte and the Payload. The Payload contains the 14 channels that are enabled, each occupying two bytes. So the total size of the read including the Status byte is 29.

```
// pseudo-code
// write() and read() calls should perform a write or read transaction
// on the I2C bus at address 0x30.

// Write the identify command
write([0, 0xFF])

uint8 arr[3]
// Poll and wait to read the identify acknowledgement
do { read(arr, 3) } while (arr[0] != 0xFE)
sensor_type = arr[1] // should verify that it is 0x03: Trill Craft
fw_revision = arr[2] // should verify that it is 3

// disable scanning altogether with the ScanTrigger command:
write([0, 0x0F, 0x00])
// wait for acknowledgement
do { read(arr, 1) } while (arr[0] != 0xFE)

// ScanSettings command to set 16 bit and CSD_ULTRA_FAST_SPEED (0x00)
write([0, 0x02, 0x00, 16])
// wait for acknowledgement
do { read(arr, 1) } while (arr[0] != 0xFE)

// Set the prescaler to CSD_PRESCALER_1 (0x01) with the Prescaler command:
write([0, 0x03, 0x01])
// wait for acknowledgement
do { read(arr, 1) } while (arr[0] != 0xFE)

// Manipulate the channel mask so that only channels 7 through 20 are enabled
// The desired content of the channel mask is thus 0x001FFF80
// Using the ChannelMaskLow command we set the lowest bytes
write([0, 0x0A, 0xFF, 0x80])
// wait for acknowledgement
do { read(arr, 1) } while (arr[0] != 0xFE)

// Using the ChannelMaskHigh command we set the highest bytes
write([0, 0x0B, 0x00, 0x1F])
// wait for acknowledgement
do { read(arr, 1) } while (arr[0] != 0xFE)

// Set the internal timer to 50ms with the AutoScanTimer command.
// The timer duration is expressed in periods of a 32kHz clock.
// 50ms is equivalent to 1600 periods.
// The two argument bytes multiplied together should give 1600.
```

```
// We use 200 and 8.
write([0, 0x0E, 200, 8])
// wait for acknowledgement
do { read(arr, 1) } while (arr[0] != 0xFE)

// the sensor is all set up. Enable scanning on timer with the ScanTrigger command
write([0, 0x0F, 0x02])
// wait for acknowledgement
do { read(arr, 1) } while (arr[0] != 0xFE)

// To start reading data, write the offset from which we want to read from.
// This is 3 as we start from the Status byte
write([3])

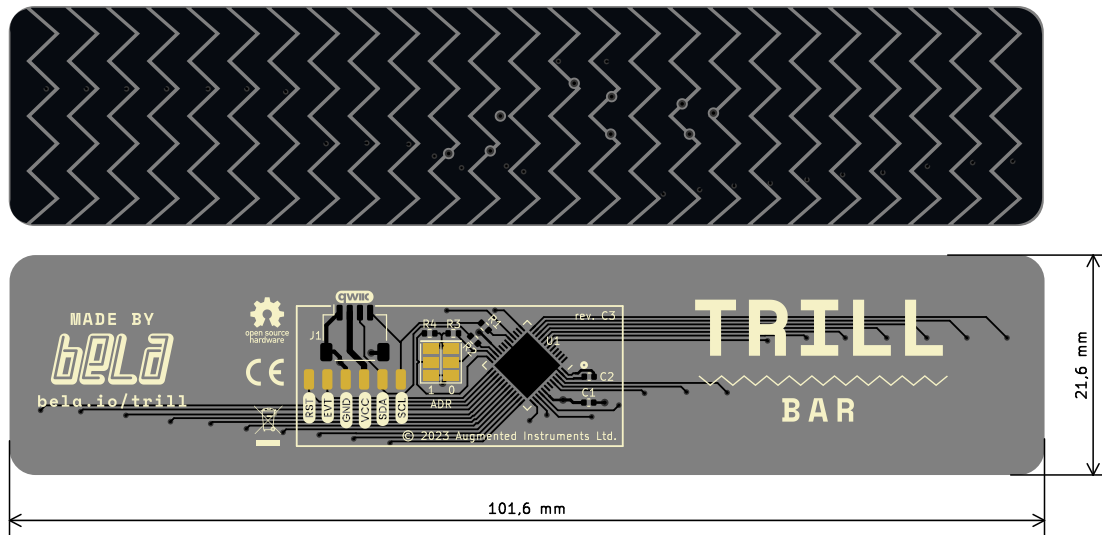
while(1) {
  uint8 data[29]
  // Repeatedly read the Status byte until activity on a new frame is detected.
  oldFrameId = -1
  do {
    // we read faster than the period in order not to miss any frames
    sleepMs(30)
    read(data, 1)
    status = data[0]
    // bit six of the status bits is set if activity was detected
    activityDetected = status & (1 << 6)
    // lowest five bits are the frameId
    frameId = status & 0x1F
    newData = frameId != oldFrameId
    oldFrameId = frameId
  } while (!(newData && activity))

  // once we get here, we should read the full payload
  // we re-read the status byte we just read above,
  // but that's faster than performing a write to change the read offset
  read(data, 29)
  // here, parse and handle data. Note that the
  // first byte is the status byte and can be discarded
}
}
```

## 8 Dimensions

### 8.1 Trill Bar

4-layer PCB with 0.8 mm thickness. The marked rectangular area shows the minimum size (32x14 mm) the sensor can be cut to. Don't cut inside this area.



**Figure 5: Trill Bar dimensions**

## 8.2 Trill Square

4-layer PCB with 0.8 mm thickness. The marked rectangular area shows the minimum size (32x19 mm) the sensor can be cut to. Don't cut inside this area.

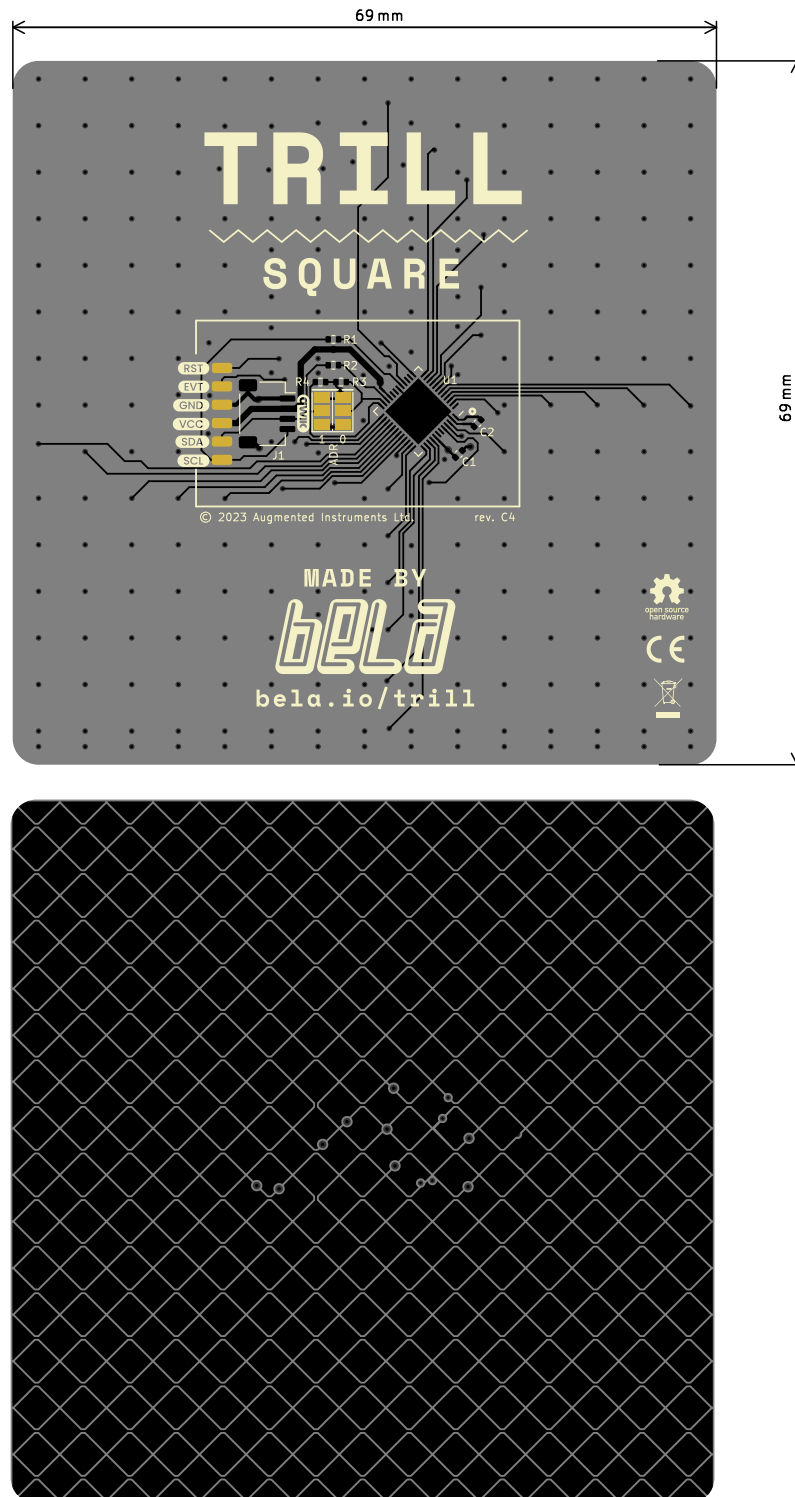
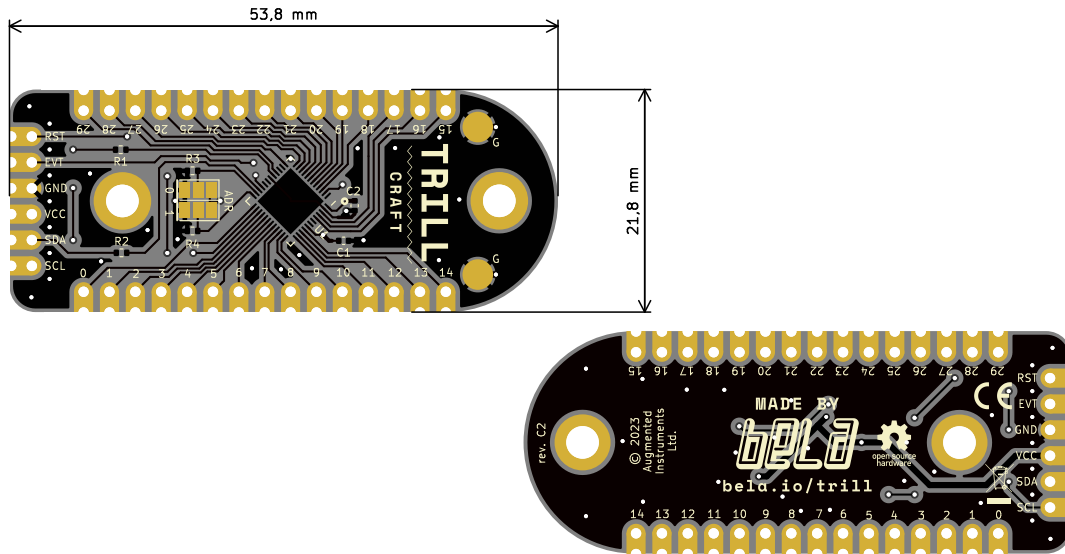


Figure 6: Trill Square dimensions

### 8.3 Trill Craft



**Figure 7: Trill Craft dimensions**

2-layer PCB with 1.6 mm thickness. Castellated pads with 2.54 mm pitch. The two rows of holes on each side are 18 mm apart. Trill Craft has two mounting holes fitting for M3 screws 37 mm apart. They are not connected to ground.

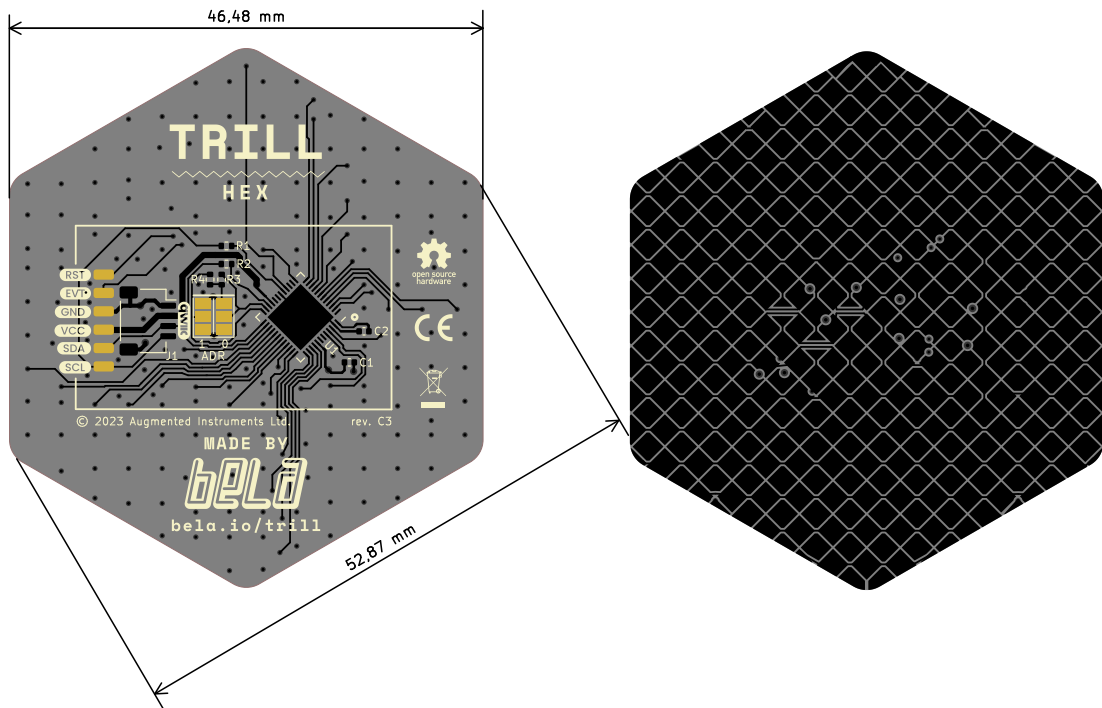
### 8.4 Trill Ring



**Figure 8: Trill Ring dimensions**

4-layer PCB with 0.8 mm thickness. Two buttons can be connected using the pads labelled 'A' and 'B'.

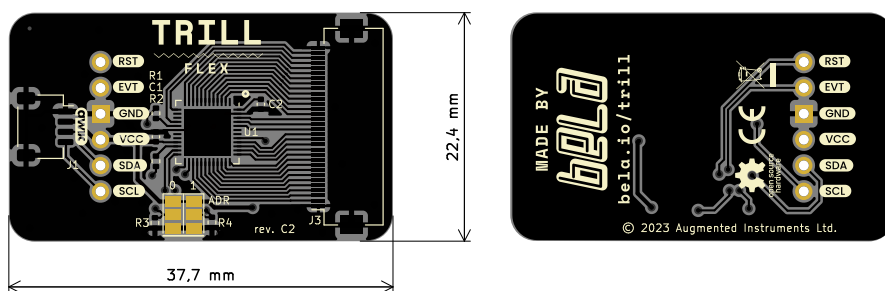
### 8.5 Trill Hex



**Figure 9: Trill Hex dimensions**

4-layer PCB with 0.8 mm thickness. The marked rectangular area shows the minimum size (31x18 mm) the sensor can be cut to. Don't cut inside this area.

### 8.6 Trill Flex



**Figure 10: Trill Flex Base dimensions**

Base: 2-layer PCB with 1.6 mm thickness. Flat Flexible Connector (FFC): 32 pin, 0.5mm pitch. Slider: 2-layer Flex-PCB.

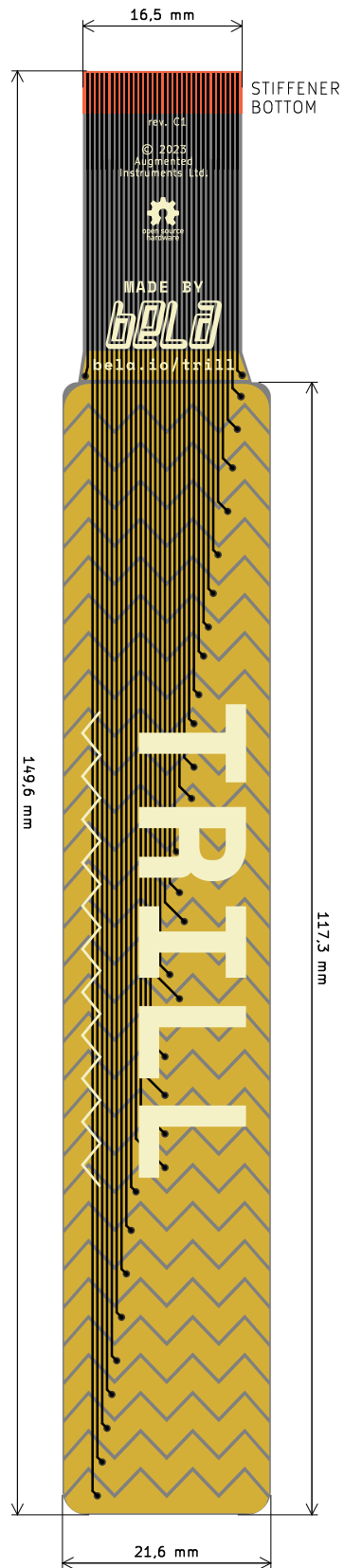
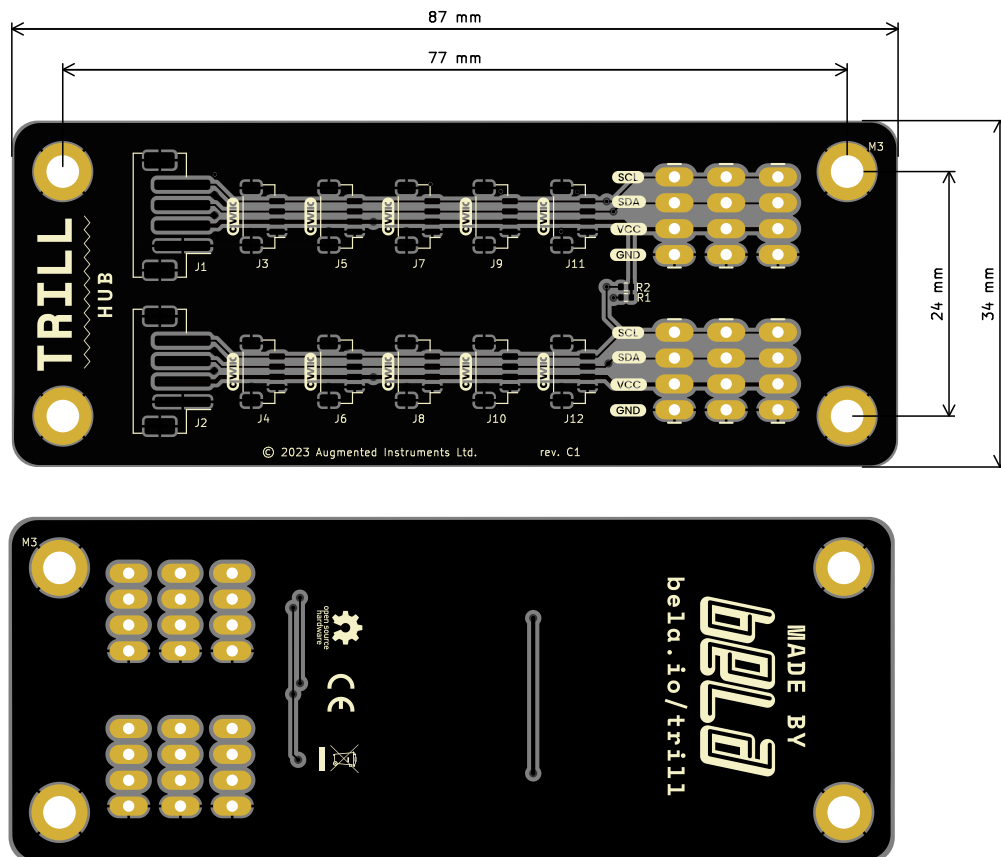


Figure 11: Trill Flex Slider dimensions

## 8.7 Trill Hub



**Figure 12: Trill Flex Hub dimensions**

2-layer PCB with 1.6 mm thickness.

## 9 History

The original Trill sensors (Revisions A and B) were funded on *Kickstarter* in autumn 2019. They feature GROVE connectors, were designed in *Eagle* and have their own datasheet<sup>9</sup>. This datasheet is for revision C of the Trill sensors, for which we used the open source KiCad schematic capture and PCB design software suite and switched to more compact horizontal QWIC connector. Additionally, Trill Craft now has castellated pads.

## 10 Source Files and Licenses

Trill hardware designs and this datasheet are available under a Creative Commons Attribution-ShareAlike 4.0 International (CC BY-SA 4.0) License, meaning they can

<sup>9</sup>[https://github.com/BelaPlatform/Trill/blob/master/datasheet/REV\\_B/trill\\_datasheet.pdf](https://github.com/BelaPlatform/Trill/blob/master/datasheet/REV_B/trill_datasheet.pdf)

be freely reused and remixed with attribution, provided modifications remain open source. Trill firmware is licensed under GNU Public License, meaning that you can freely use, remix, change and extend the code, but you are obligated to make the modified source code available alongside any binaries (flashed, or as files) that you release.

Source files can be found here: <https://github.com/BelaPlatform/Trill>

## 10.1 Commercial Licensing

It's possible to use Trill design files and firmware for commercial projects free of charge under CC-BY-SA (hardware) and GPL (firmware). Both licenses allow you to use these assets yourself under the license requirements, which include publicly releasing any changes you make to the designs under the same license.

If you want to use Trill design files but not provide attribution and/or not release your source code — for example, because you want to create something to sell using these files but don't want to make your source files public — this is still possible, but requires a commercial license. Augmented Instruments Ltd. can provide you with a commercial license that fits your project and its scope. Get in touch at [info@bela.io](mailto:info@bela.io) to discuss your product and the license that's right for you.<sup>10</sup>

Please note: The above commercial licensing applies only to modifications to our provided firmware code and PCB designs. You can buy Trill sensors and use them in any commercial or personal project without any additional licensing costs.

## 10.2 Trill / Bela Name and Logo

Trill and Bela names and logos are copyright Augmented Instruments Ltd. Any designs that you release or produce should **not** use the Trill name or logo and/or the Bela name and logo, whether modified or exact copies.

## 10.3 Disclaimer

*All trademarks, logos and brand names including, but not limited to Infineon, Kick-starter, Eagle, KiCad, Texas Instruments, CapSense or Arduino are the property of their respective owners. All company, product and service names used in this data-sheet are for identification purposes only. Use of these names, trademarks and brands does not imply affiliation or endorsement. All information in this datasheet is subject to change without notice.*

---

<sup>10</sup>More information may be found at <https://learn.bela.io/products/products-overview/open-source-licenses/#using-trill-in-commercial-products>

# Mouser Electronics

Authorized Distributor

Click to View Pricing, Inventory, Delivery & Lifecycle Information:

Bela:

[160701-BAR](#) [160702-SQUARE](#) [160703-CRAFT](#) [160704-HEX](#) [160705-RING](#) [160706-FLEX](#)

# Mouser Electronics

Authorized Distributor

Click to View Pricing, Inventory, Delivery & Lifecycle Information:

[Bela:](#)

[160701-BAR](#) [160702-SQUARE](#) [160703-CRAFT](#) [160704-HEX](#) [160705-RING](#) [160706-FLEX](#) [160707-HUB](#)