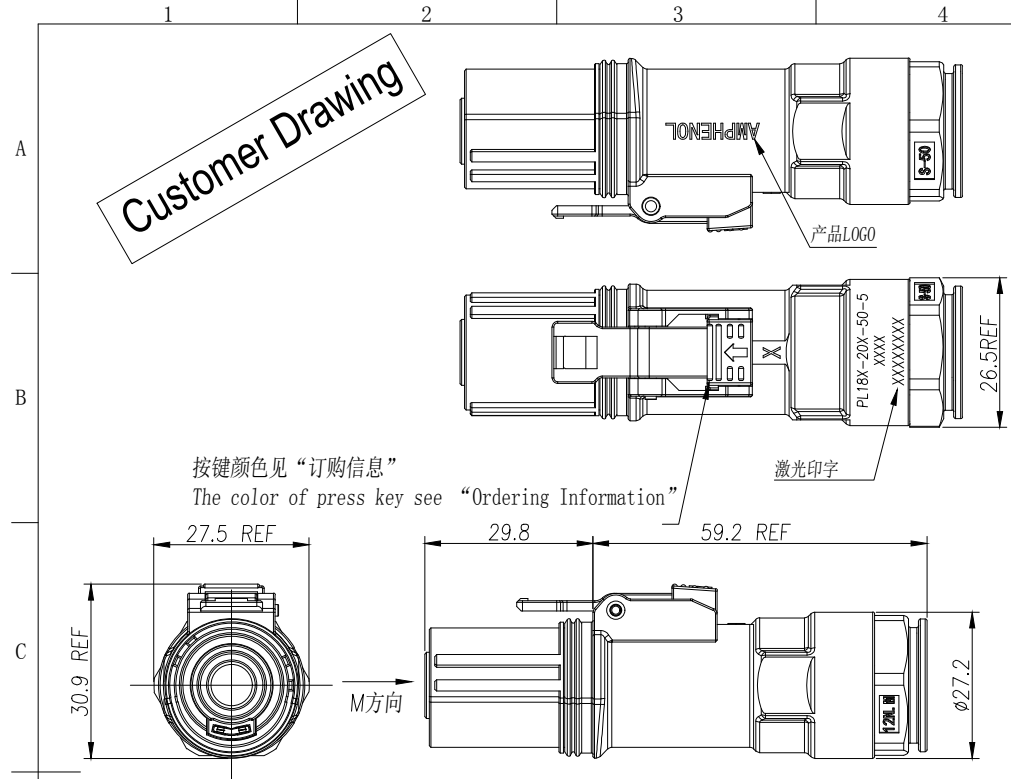


THIS DRAWING IS SUPPLIED FOR INFORMATION ONLY. DESIGN FEATURES, SPECIFICATIONS AND PERFORMANCE DATA SHOWN HEREON ARE THE PROPERTY OF THE AMPHENOL CORPORATION. NO RIGHTS OF REPRODUCTION ARE IMPLIED. ALL DIMENSIONS ARE SUBJECT TO NORMAL MANUFACTURING VARIATIONS.

Customer Drawing



按键颜色见“订购信息”
The color of press key see “Ordering Information”

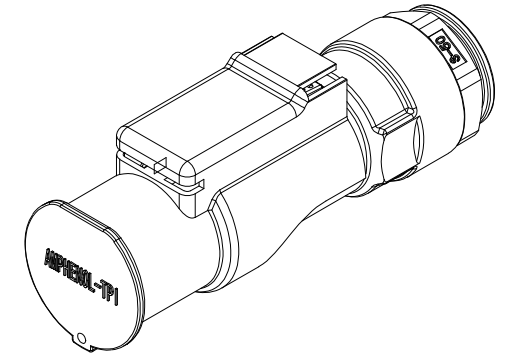
订购信息 Ordering Information

PL18 X - 20 1 - 35 - 5		
键位及颜色 Key & Color	高压互锁 HVIL	线缆大小 Cable Size
"X", 橙色 Orange	0, 不带互锁 No HVIL	"35"=35mm ²
"Y", 黑色 Black	1, 带互锁 With HVIL	
"U", 黄色 Yellow		
"V", 绿色 Green		
"W", 红色 Red		

规格参数 (Spec.):

1. 工作温度 Operating temperature: -40° C~+125° C.
2. 额定电流 Current rating (Connector Only): 35mm²:150 A.
3. 额定电压 Operating voltage:1000 VDC.
4. 耐压 Dielectric withstanding voltage: 5000 VDC.
5. 防护等级 Protection class:IP67 & IP2X.
6. 电磁屏蔽 Shielding.
7. 机械寿命 Mating cycle:100 Min.
8. 带自动二次锁扣 Automatic secondary lock.
9. 带高压互锁 Electrical interlock (HVIL).
10. 配对插座 Mating receptacle : See drawing "PL00-200"

REV		ZONE	ECO	DESCRIPTION	DATE	BY	APPR
REVISIONS							
1	--	--	--	INITIAL RELEASE	04/06/23	Bond	JL



Standard Part List (With HVIL)

P/N	Model NO
AC-HA026356	PL18X-201-35-5
AC-HA026357	PL18Y-201-35-5
AC-HA026358	PL18U-201-35-5
AC-HA026359	PL18V-201-35-5
AC-HA026360	PL18W-201-35-5

Standard Part List (Without HVIL)

P/N	Model NO
AC-HA026361	PL18X-200-35-5
AC-HA026362	PL18Y-200-35-5
AC-HA026363	PL18U-200-35-5
AC-HA026364	PL18V-200-35-5
AC-HA026365	PL18W-200-35-5

Recommended Cable Size

Model NO.	Overall-Diameter Nominal (mm)	Dia Primary Insulation (mm)	Conductor Diameter (mm)
PL18(X)-20X-35-5	12.7±0.3	9.70	7.9

	Amphenol Technical Products International GZ					PART NAME: PowerLok 8mm 1POS Plug Assy		
	第三角投影 THIRD ANGLE PROJECTION	页面 SHEET	幅面 SIZE	版次 REV.	比例 SCALE	DWG NO: PL18(X)-20()-35-5		
		1 of 1	A3	1	UNLESS OTHERWISE SPECIFIED 1) All dimensions are in metric(mm). 2) Tolerances are as follows: 0 PL DEC ±1.00 1 PL DEC ±0.50 2 PL DEC ±0.20	CUST PART #: N/A		CUST REV. -

Key Characteristics Contact
Amphenol for Latest Definition

Critical 关键特性
 Significant 重要特性

签名 SIGNATURE
日期 DATE
制图 DRAWN
审核 CHECKED
批准 APPROVAL

Bond
04/06/23

Angles ±1°