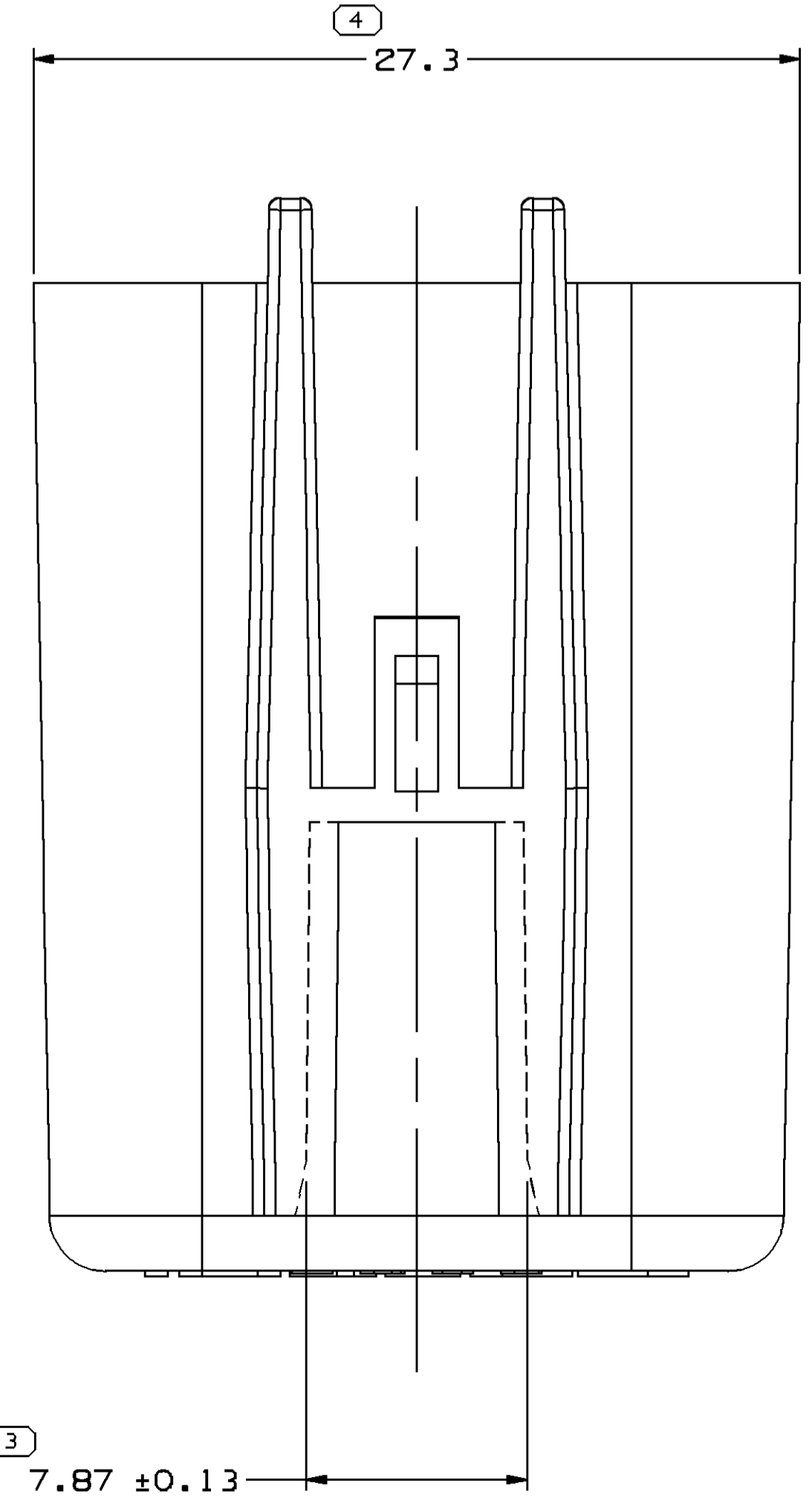
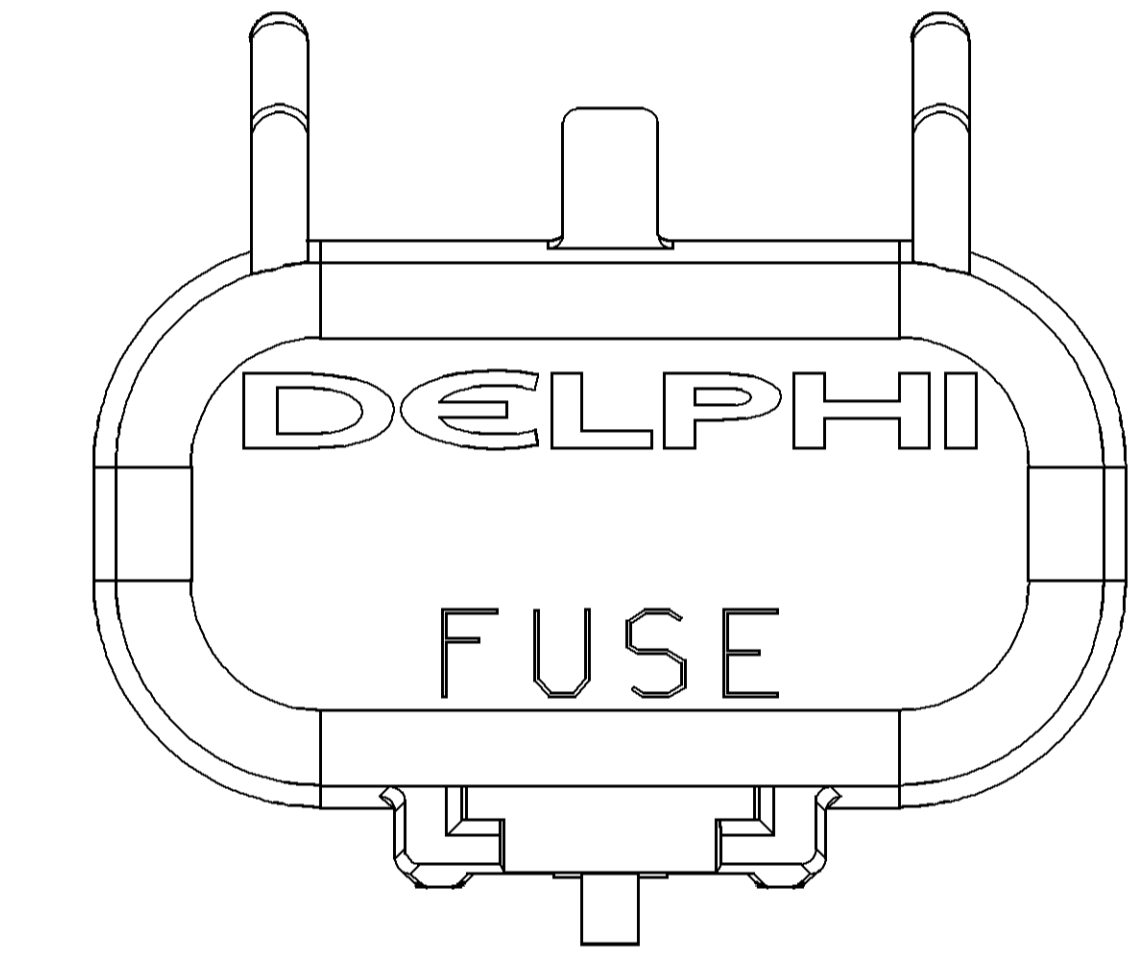
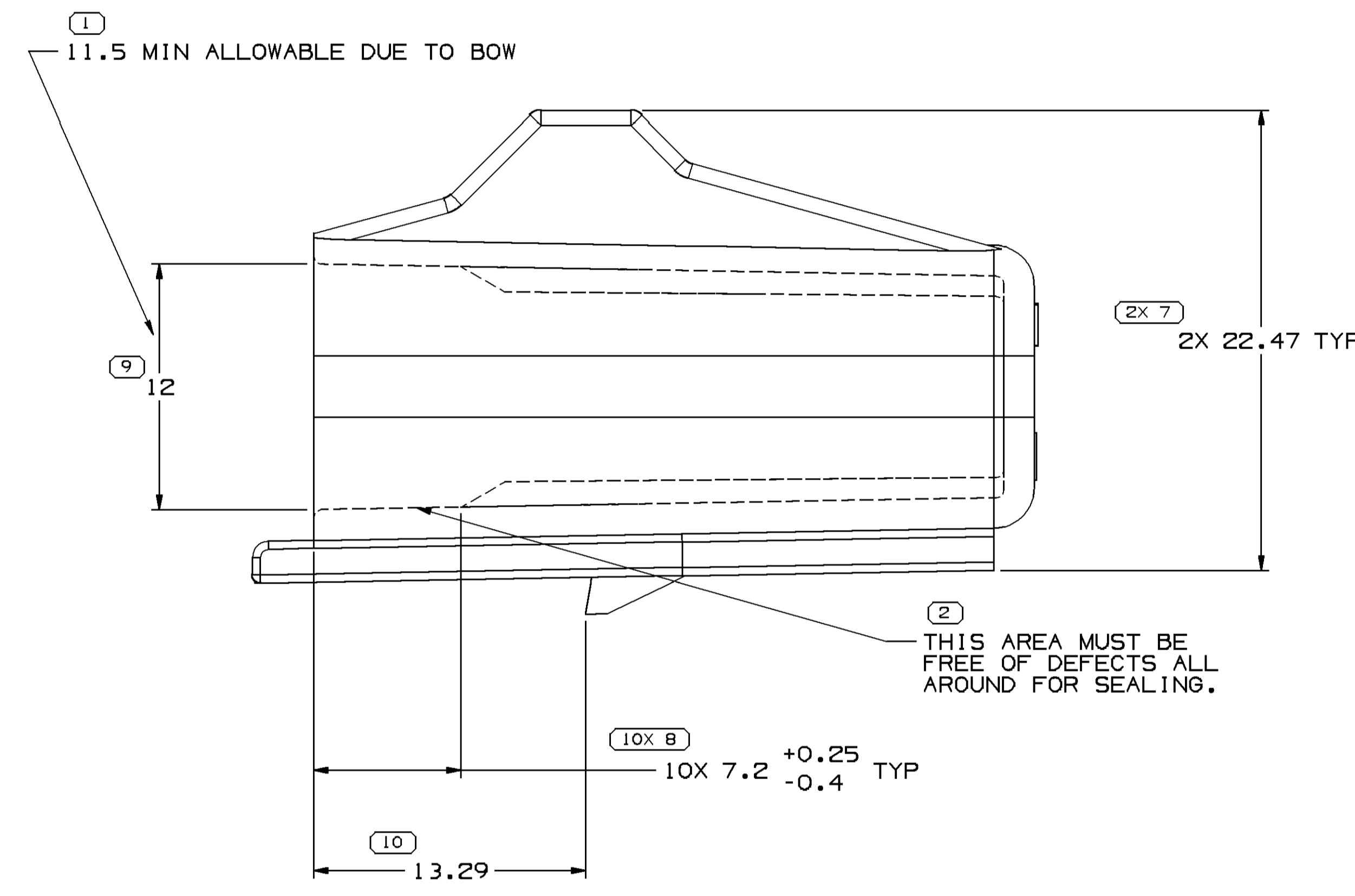
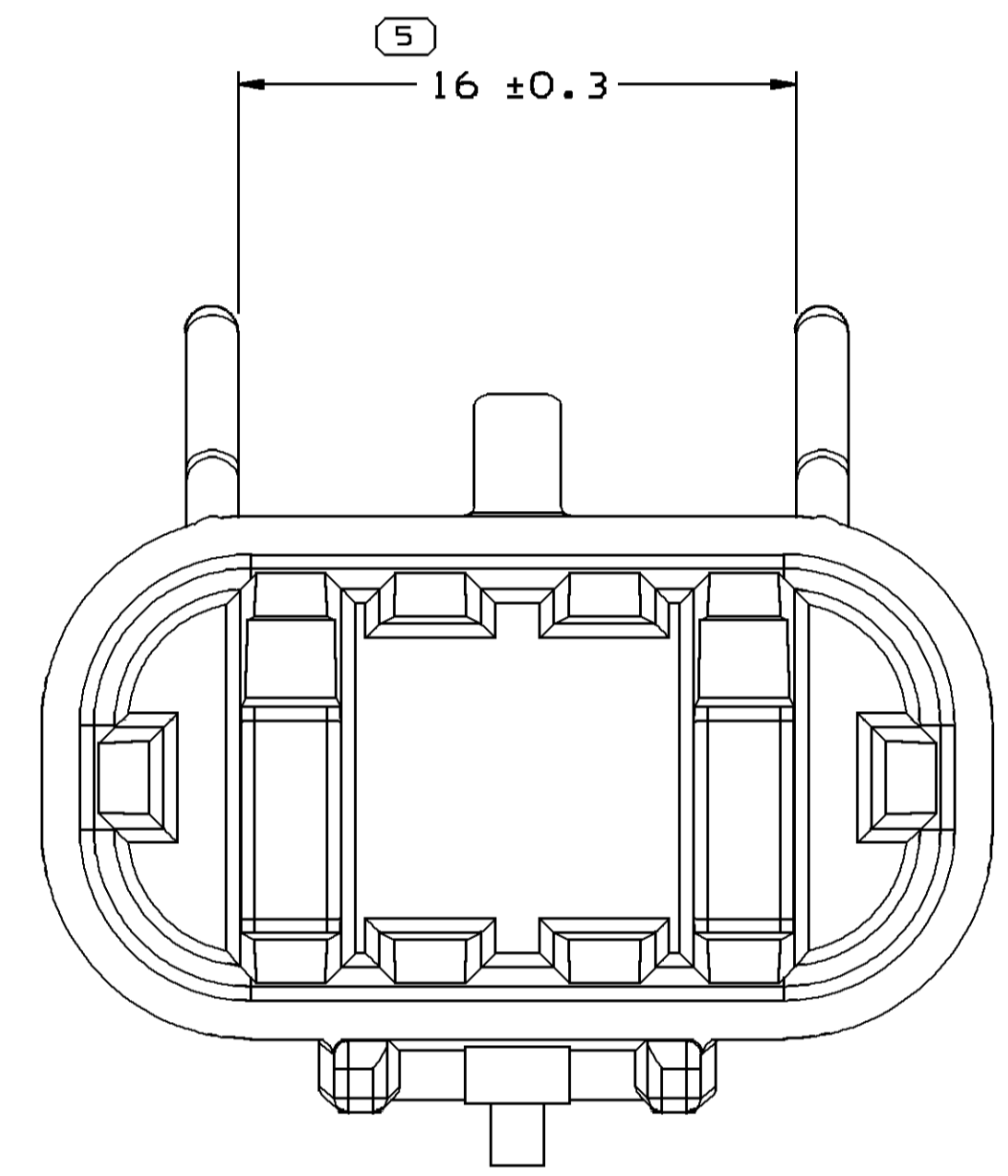
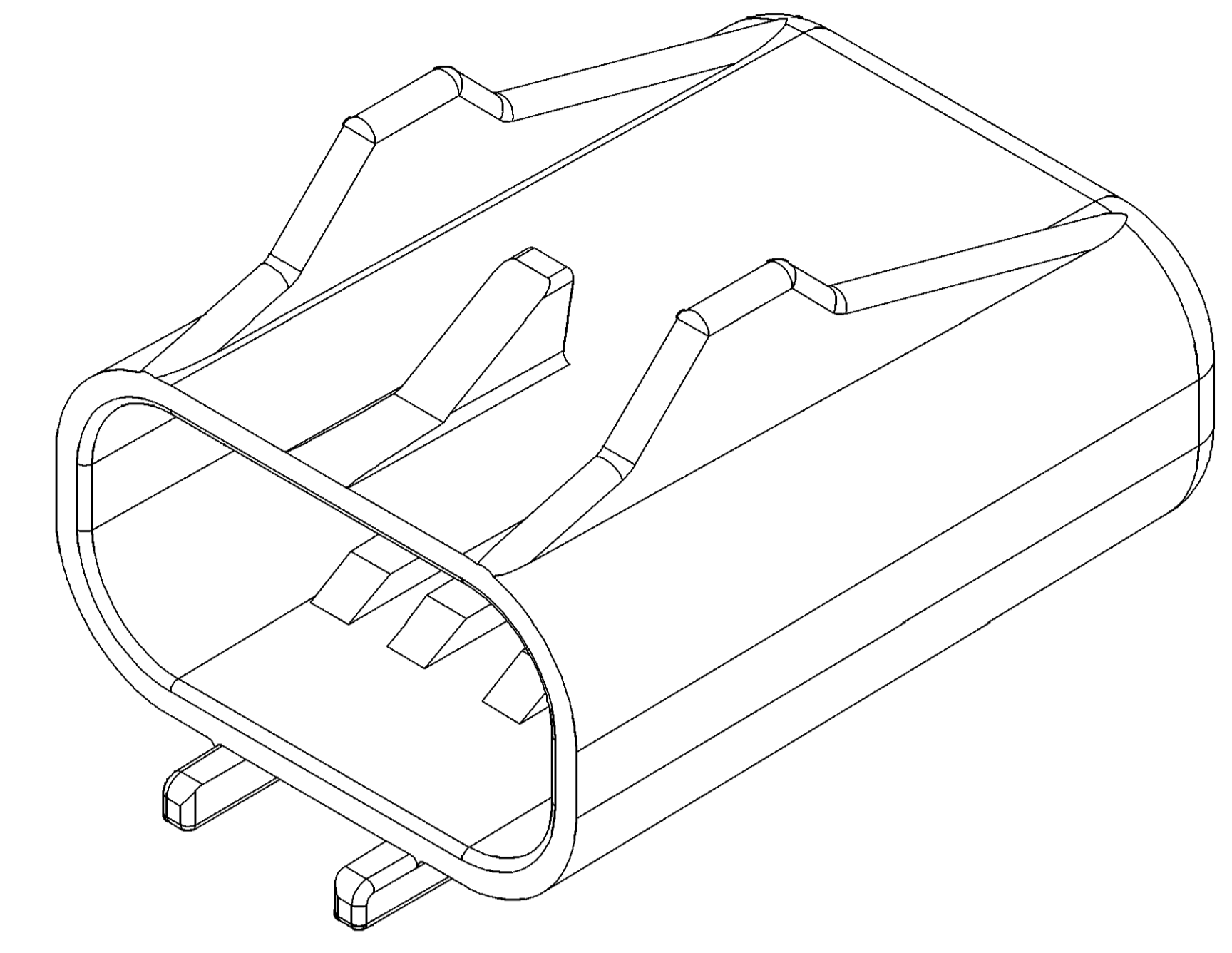
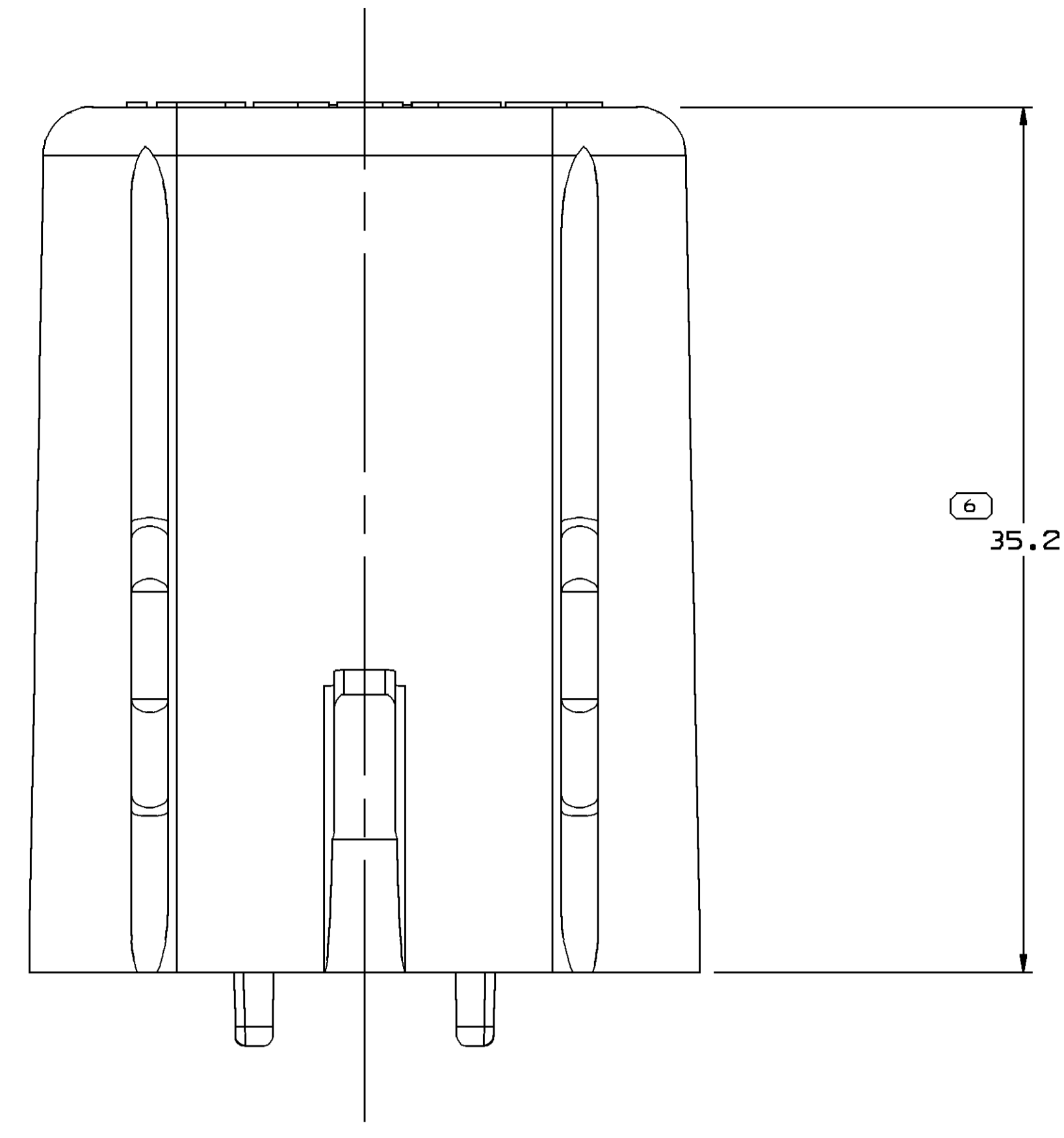


SYMBOL DEFINITION		TOTAL NO OF INSPECTIONS REQUIRED	MISSING SYMBOLS
A DIMENSION WITHOUT AN INSPECTION REPORT SYMBOL DOES NOT REQUIRE INSPECTION. IT MAY BE CONTROLLED ON THE INDIVIDUAL COMPONENT DRAWING.		20	NO MISSING SYMBOL NUMBER
		10	

DWS STATUS					REVISION HISTORY		AUTH	DR	AP/VD
DATE	STG	REV	IVP	CHG	ZONE				
190C09	R	01	-	-		RELEASED	409264	RHG	FRG
10N009	R	01	AA	-		CREATED TOO	409455	RHG	ECB
10DE09	R	01	AB	-		REDUCED DELPHI LOGO & UPDATED PDM ATTRIBUTES	409643	RHG	HAD



NOTES

- UNLESS OTHERWISE SPECIFIED AND/OR INDICATED:  
DIMENSIONS ARE TO FACE OF VIEW SHOWN AND AUTOMATICALLY ROUNDED BY COMPUTER FOR INSPECTION (SEE MATH MODEL FOR PRECISE DIMENSIONS). FOR ALL OTHER DIMENSIONS NOT SHOWN BUT REQUIRED FOR TOOL BUILD, SEE MATH MODEL FOR PRECISE TOOL PATH DATA.
- MATERIAL RECYCLING CODE PER ISO 11469. (2.3)X(10.1) CHARACTERS AS SHOWN TO BE LOCATED ON ANY EXTERIOR SURFACE. OPTIONAL CONSTRUCTION TO BE NO MATERIAL RECYCLING CODE.
- (2.3)X(10.1) DELPHI CORPORATE BRAND TO BE LOCATED ON ANY EXTERIOR SURFACE, PREFERABLY VISIBLE AT FINAL ASSEMBLY. OPTIONAL CONSTRUCTION FOR EXISTING TOOLING MAY BE "PED".
- REFERENCE MATING COMPONENTS OR EQUIVALENT:  
CONNECTOR & SEAL ASM 12033769
- THIS PART IS NOT CONTROLLED FOR AUTOMATIC FEEDING.
- THIS PRODUCT IS NOT CATEGORIZED AS AN APPEARANCE ITEM. MINOR IMPERFECTIONS INCLUDING, BUT NOT LIMITED TO, FLOW MARKS, COLOR BLEMISHES, GATE VESTIGE, AND SOFT FLASH THAT DO NOT AFFECT THE FIT, FORM, OR FUNCTION OF THE PART ARE PERMISSIBLE PER DPNP-4.7-CS-01.

DIMENSIONAL RANGE (MM)		CHART	EST
FROM	> 0	> 20	> 30
TO	20	30	40
TOLERANCE UNLESS OTHERWISE SPECIFIED			
ANGULAR TOLERANCE ±2°			

PART DRAWING	
VOLUME (OMP)	5.512
DISTR CODE	D
UNLESS OTHERWISE SPECIFIED	
THIS DOCUMENT IS IN ACCORDANCE WITH ASME Y14.5M-1994 AS MODIFIED BY THE 3D SURFACE DIMENSIONING AND TOLERANCING ADDENDUM-2001. SEPARATE PATTERNS OF FEATURES MAY BE SHOWN SEPARATELY, REGARDLESS OF DATUM REFERENCES.	
ALL DIMENSIONS ARE IN MILLIMETERS	
REFERENCE	

**DELPHI**  
DELPHI PACKARD ELECTRICAL/ELECTRONIC ARCHITECTURE  
WARREN, OH

DR	DATE
AP/01 ROBERTO HINOJOSA	190C09
AP/02 FCO. RESENDIZ	190C09
AP/03 ROBERTO HINOJOSA	190C09
AP/04	

SUBSTANCES OF CONCERN AND RECYCLED CONTENT PER DELPHI 10449901

MATERIAL: POLYAMIDE COMPOUND BLACK

DRAWING NAME: COV FUSE

DRAWING NUMBER: 13736243

SIZE	SCALE	FRAME NO	SHEET NO	REV	IVP
A0	5:1	1	1	1	01