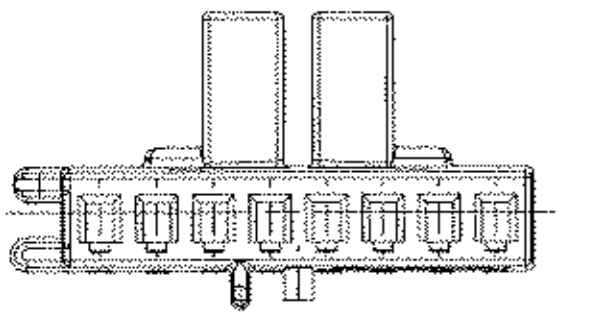
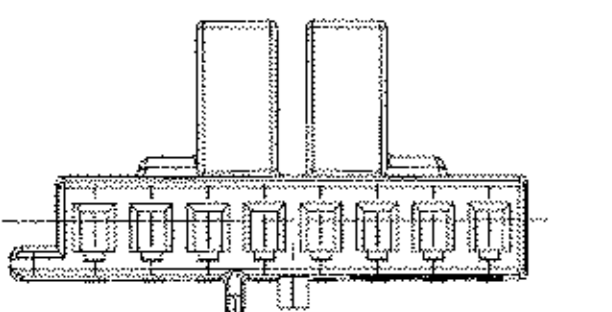


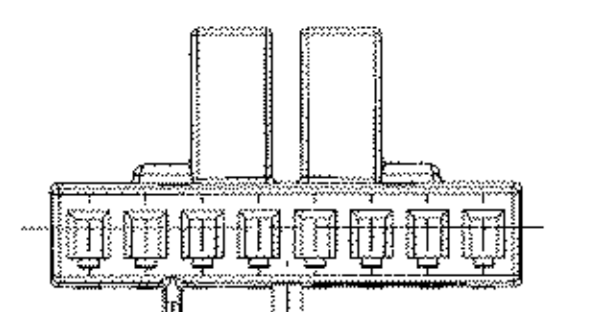
TYPE 101
OPTIONAL CONSTRUCTION



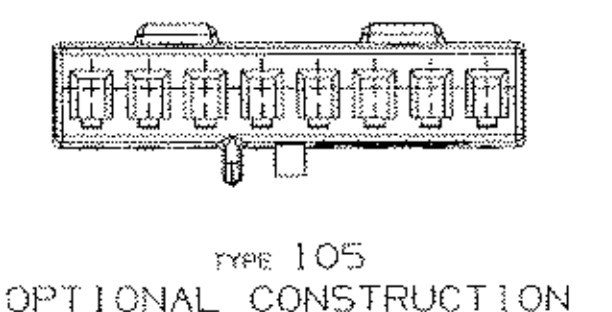
TYPE 102
OPTIONAL CONSTRUCTION



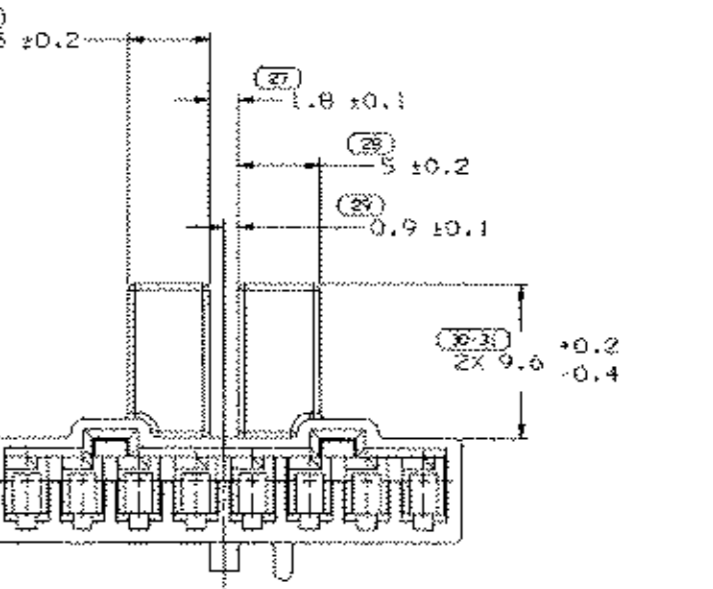
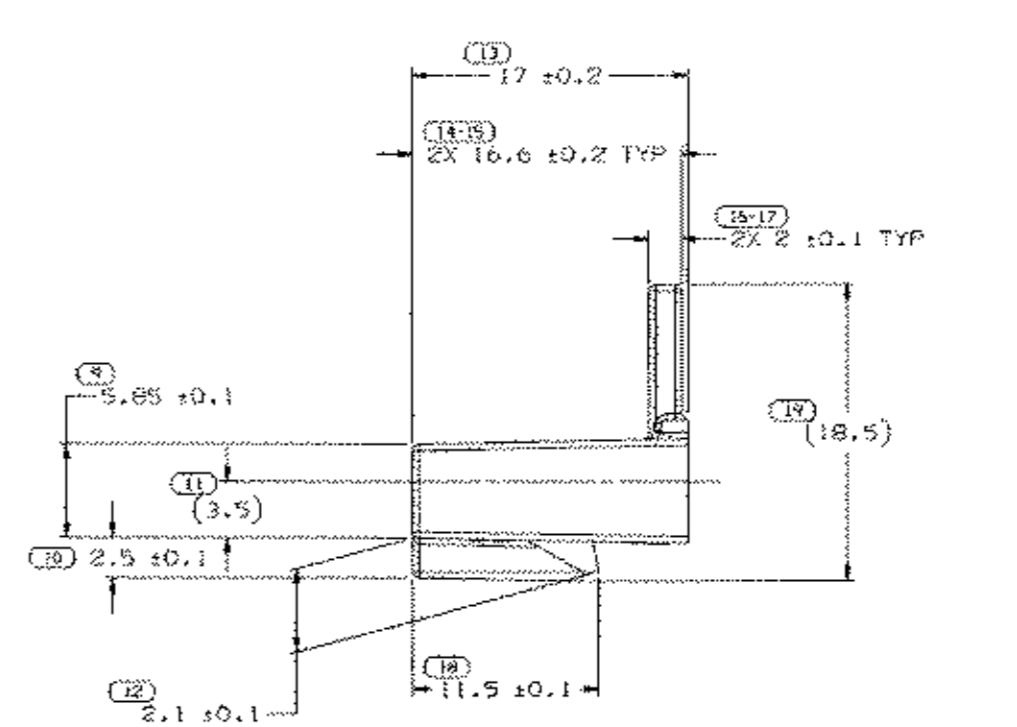
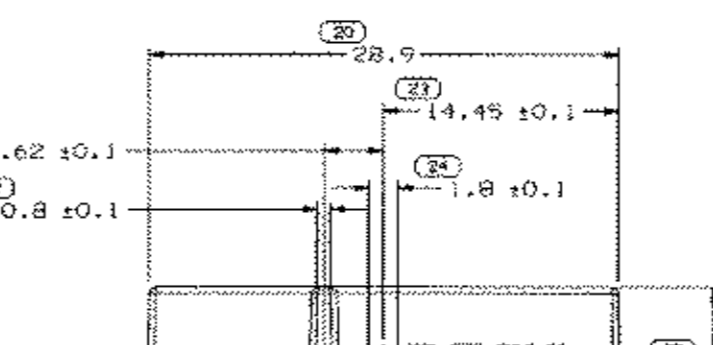
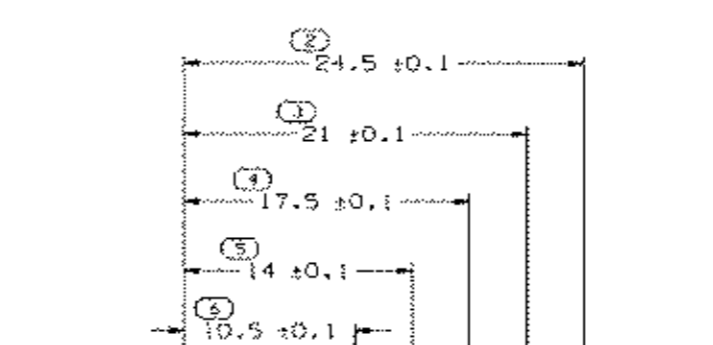
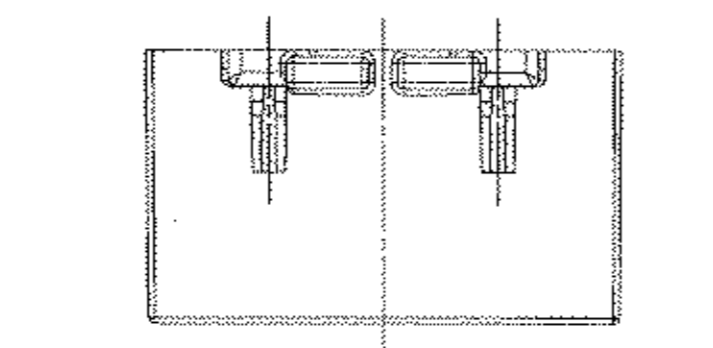
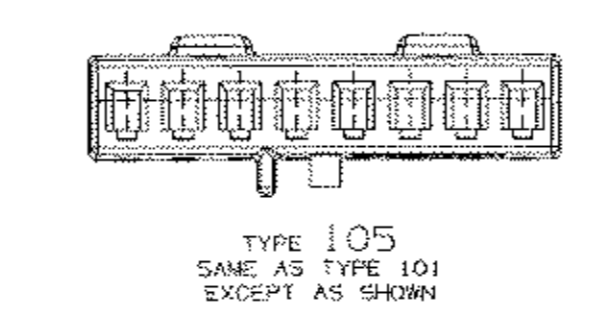
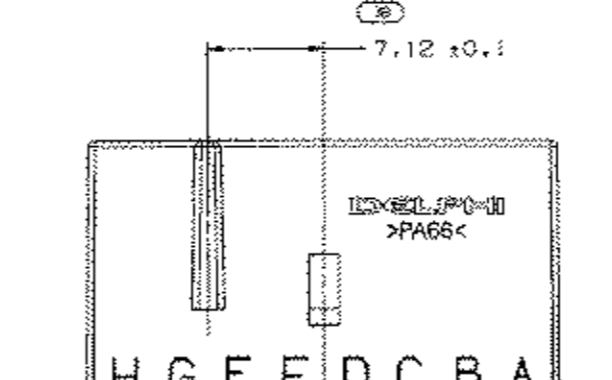
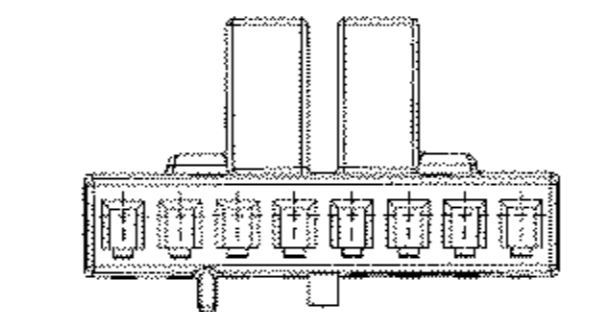
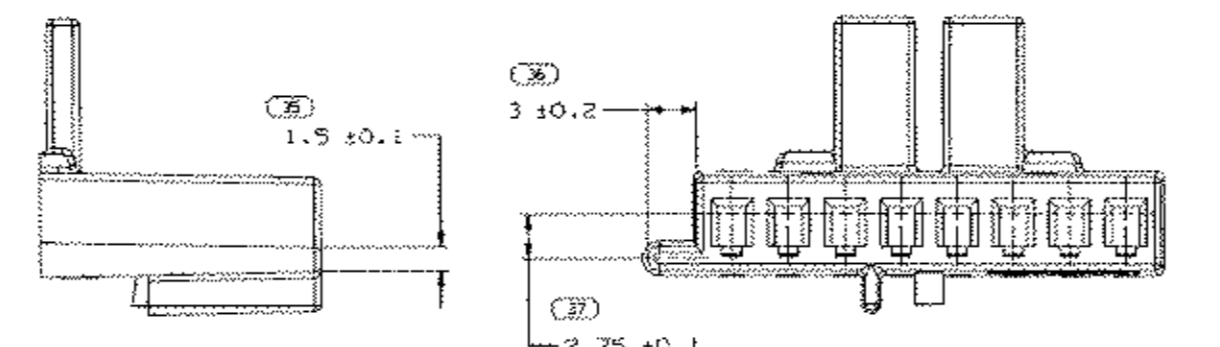
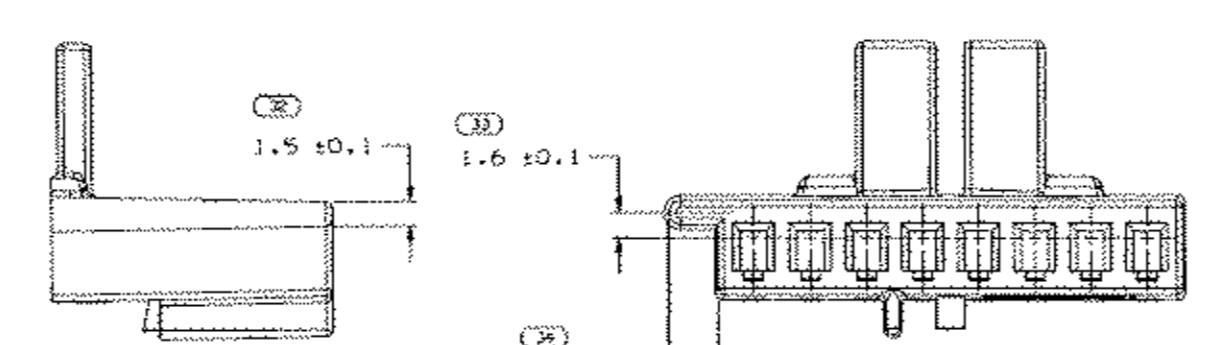
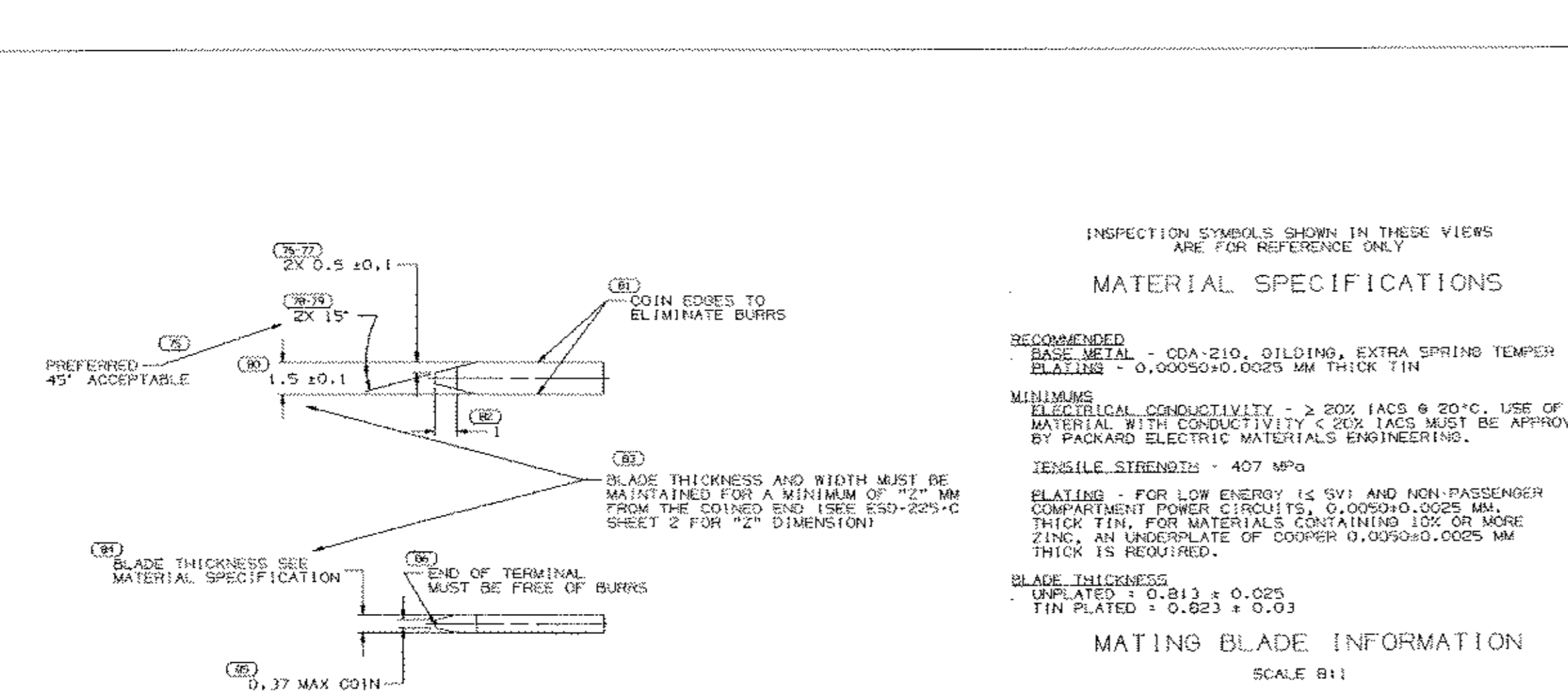
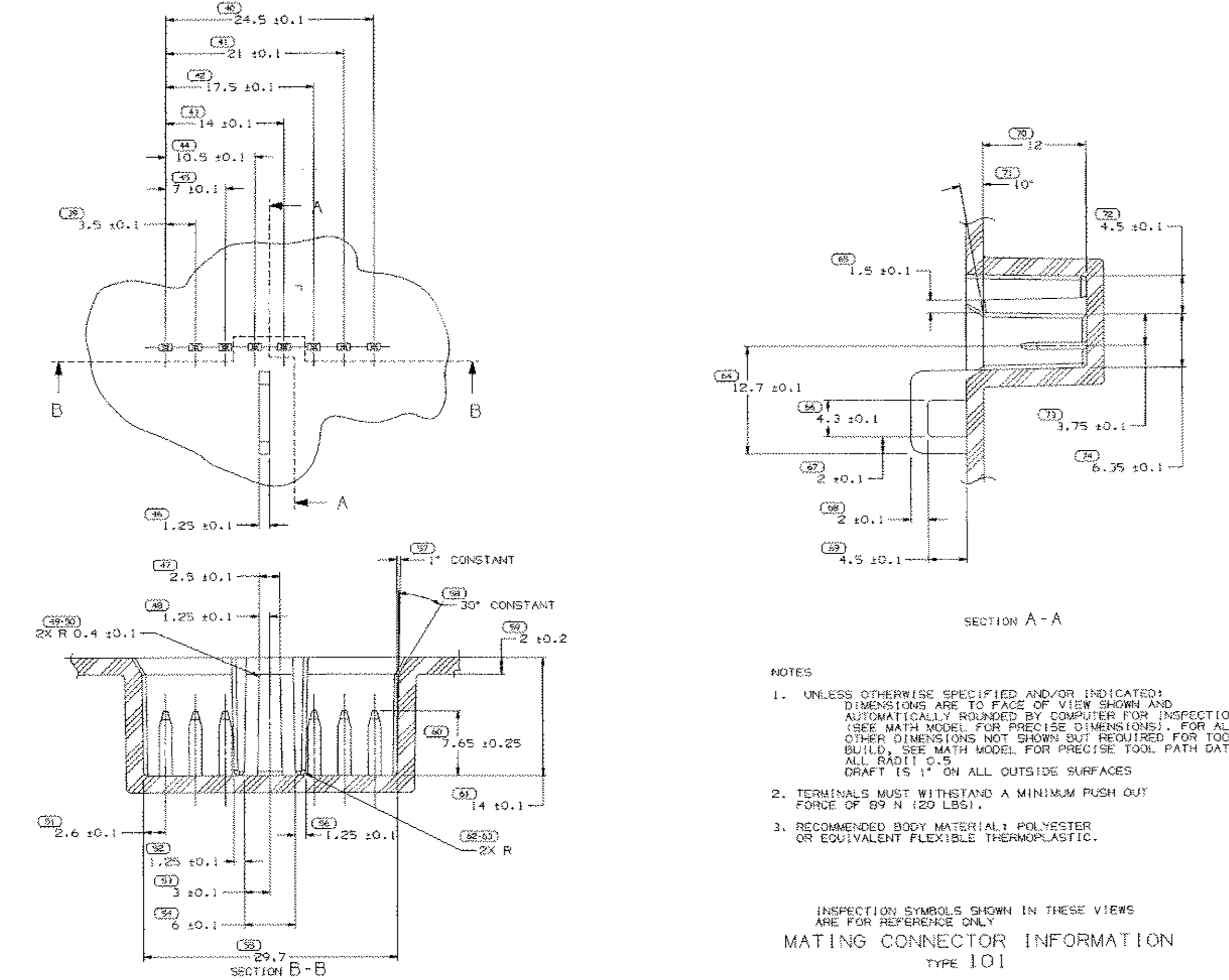
TYPE 103
OPTIONAL CONSTRUCTION



TYPE 104
OPTIONAL CONSTRUCTION



TYPE 105
OPTIONAL CONSTRUCTION

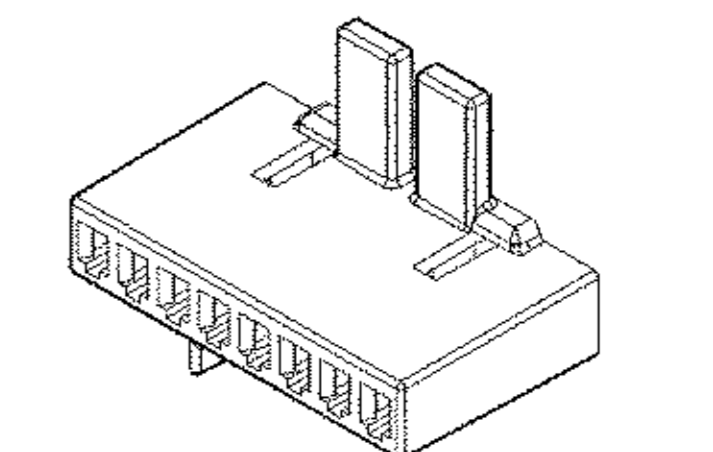


- NOTES
- UNLESS OTHERWISE SPECIFIED AND/OR INDICATED, DIMENSIONS ARE TO FACE OF VIEW SHOWN AND AUTOMATICALLY ROUNDED BY COMPUTER FOR INSPECTION (SEE MATH MODEL FOR PRECISE DIMENSIONS). FOR ALL OTHER DIMENSIONS NOT SHOWN BUT REQUIRED FOR TOOL BUILD, SEE MATH MODEL FOR PRECISE TOOL PATH DATA.
 - MATERIAL RECYCLING CODE (SEE CHART PER SAC 11344, 12, 31X10.11) RAISED CHARACTERS AS SHOWN TO BE LOCATED ON ANY EXTERIOR SURFACE. OPTIONAL CONSTRUCTION TO BE NO MATERIAL RECYCLING CODE.
 - THIS PART IS NOT CONTROLLED FOR AUTOMATIC FEEDING.
 - MATING COMPONENTS OR EQUIVALENT:
BUICK POWER MIRROR SWITCH P/N 20671168
CORVY 12186738 TO MATE WITH TRACTION CONTROL SWITCH.
 - THIS PART ACCEPTS THE FOLLOWING COMPONENTS OR EQUIVALENT:
SECONDARY TERMINAL LOCK 1206466.1
MAX INSULATION CRIMP MUST BE LESS THAN 2.6 HIGH AND 2.7 WIDE.
CONNECTOR POSITION ASSURANCE LOCK 12020933
 - 12, 31X10.11 RAISED DELPHI CORPORATE BRAND TO BE LOCATED ON ANY EXTERIOR SURFACE, PREFERABLY VISIBLE AT FINAL ASSEMBLY. OPTIONAL CONSTRUCTION TO BE "PFD" OR "NO LOGO".
 - TYPE 105 CONNECTOR NOT CAPABLE OF UTILIZING CPA

Change Material Specification

PART NO	REV	STATUS	MATERIAL SPECIFICATION AND COLOR	TYPE	VOLUME
12177016	01		M352001 PASE HS IM BLK	105	1,850
12177016	02		M352002 PASE HS IM GR 1.87	101	1,850
12177016	03		M352003 PASE HS IM GR 1.87	104	1,850
12177016	04		M352004 PASE HS IM GR 1.87	103	1,850
12177016	05		M352005 PASE HS IM GR 1.87	102	1,850
12177016	06		M352006 PASE HS IM GR 1.87	101	1,850

Temporary Production Print
C/N 268550
Approved: *Matthew Rawnsley* Date: 3/23/05
Approved: *Jim Jones* Date: 3/23/05



DELPHI
DELPHI PACKARD ELECTRIC SYSTEMS

PART DRAWING

12177016

DATE: 11/21/04

SCALE: 1:1

REV: 01

REVISED BY: JIM JONES

DATE: 3/23/05

91077151