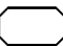
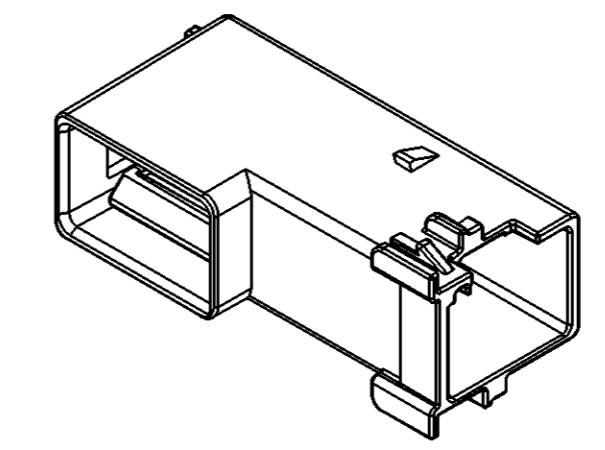
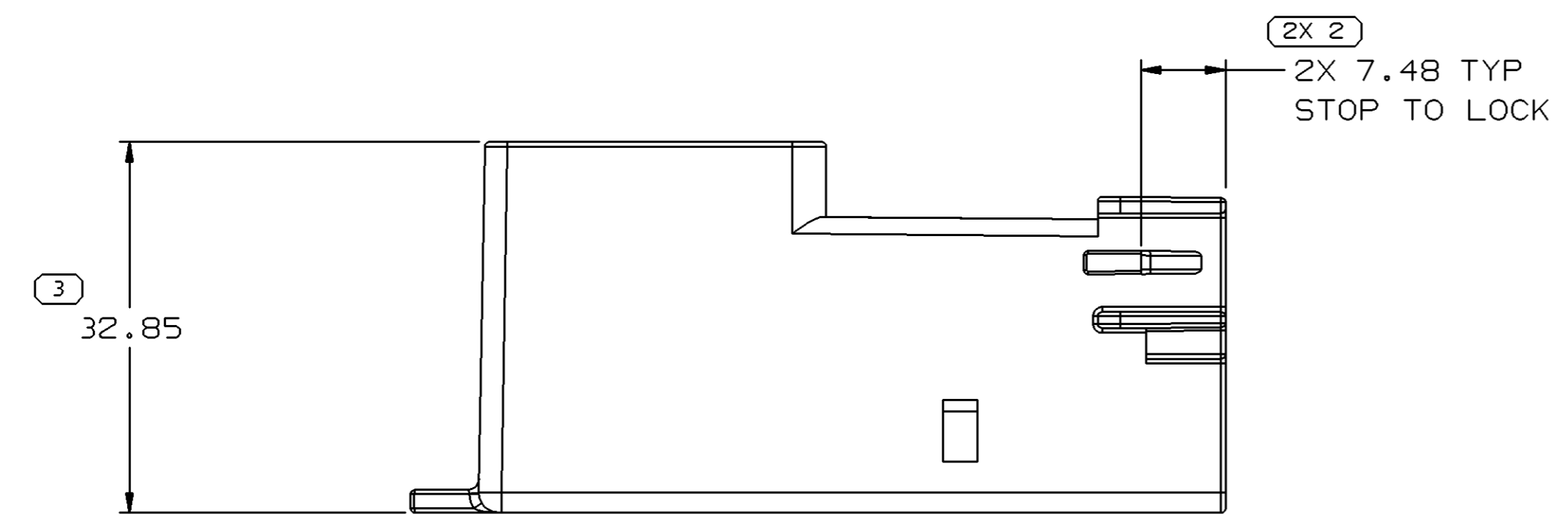
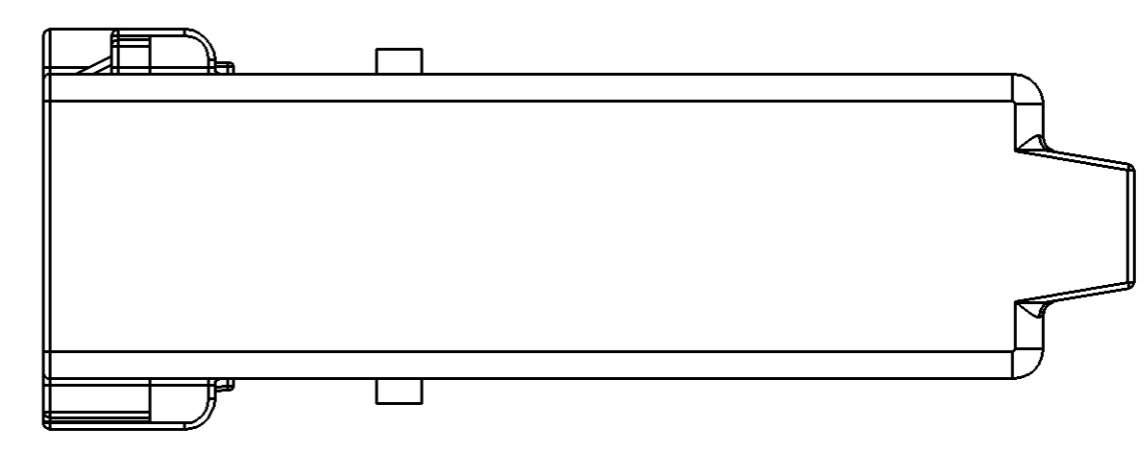
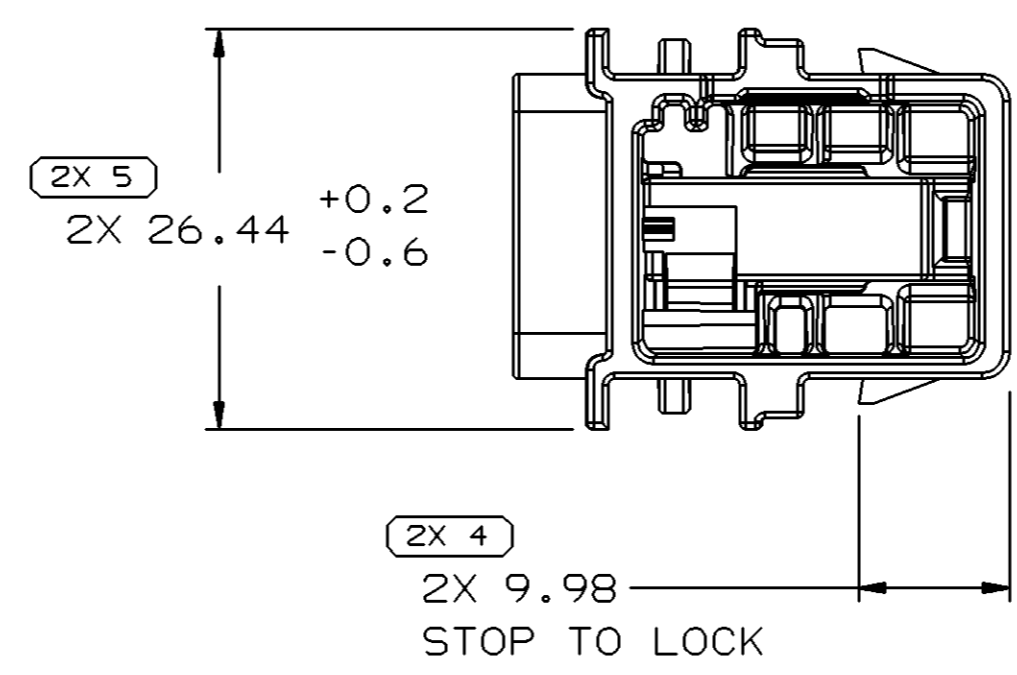
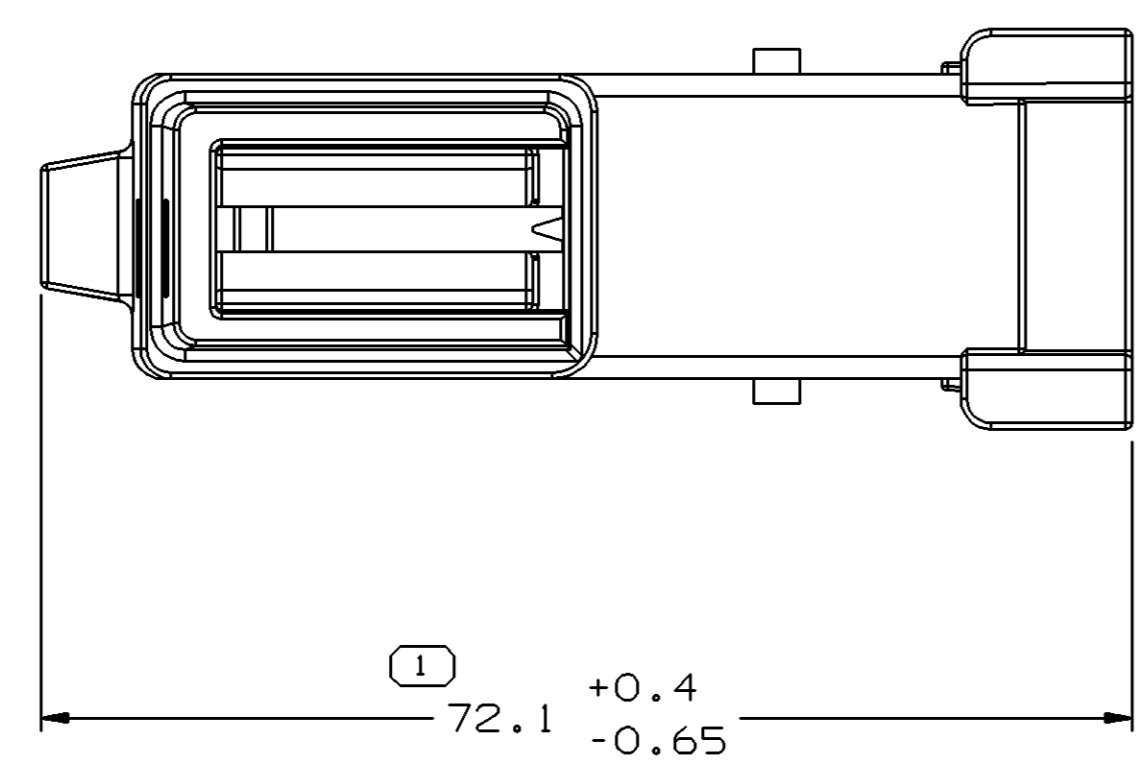
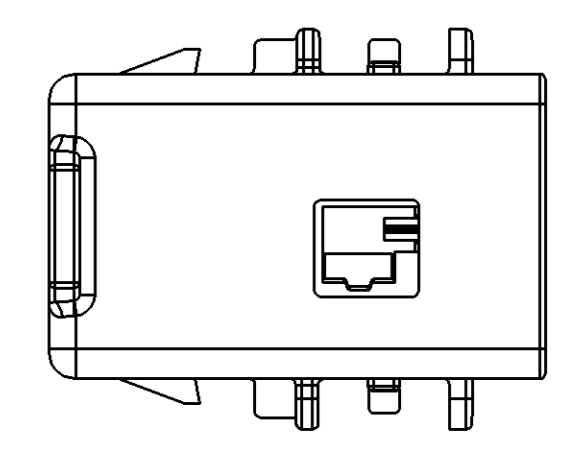
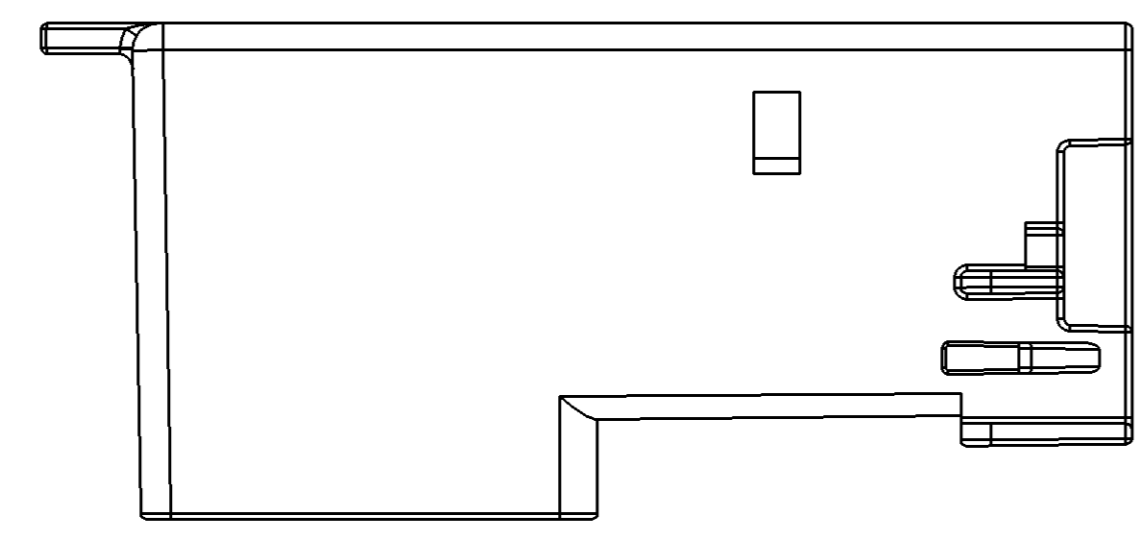


SYMBOL DEFINITION		MISSING SYMBOLS	
A DIMENSION WITHOUT AN INSPECTION REPORT SYMBOL  DOES NOT REQUIRE INSPECTION. IT MAY BE CONTROLLED ON THE INDIVIDUAL COMPONENT DRAWING.	TOTAL NO OF INSPECTIONS REQUIRED	NO MISSING SYMBOL NUMBER	8
	LAST NO. USED		5

DWG STATUS					ZONE	REVISION HISTORY	AUTH	DR	APVD1	APVD2
DATE	STG	REV	N/P	CHG						
05N004	R	01	-	-		WAS PE125196 AND RELEASED	261051	LMB	LMB	MLD
10N004	R	02	-	-		WAS PE138359 AND RELEASED	261232	LMB	LMB	MLD
16N004	R	03	-	-		UPDATED MODEL	261399	LMB	LMB	MLD
18JA05	R	04	-	-		REVISED MODEL & DRAWING	262639	JS	JS	MLD
08FE05	R	05	-	-		ADDED DRAFT TO INSIDE SURFACE AND ADDED NOTE	264139	RJD	RJD	MD
15MR05	R	05	AA	-		72.1 +0.4/-0.65 WAS 72.1 & 26.44 +0.2/-0.6 WAS 26.44	265791	LEG	LEG	RVP
060C05	R	05	AB	-		REVISED NOTE 3	273029	EAF	EAF	DG



NOTES

- UNLESS OTHERWISE SPECIFIED AND/OR INDICATED: DIMENSIONS ARE TO FACE OF VIEW SHOWN AND AUTOMATICALLY ROUNDED BY COMPUTER FOR INSPECTION (SEE MATH MODEL FOR PRECISE DIMENSIONS). FOR ALL OTHER DIMENSIONS NOT SHOWN BUT REQUIRED FOR TOOL BUILD, SEE MATH MODEL FOR PRECISE TOOL PATH DATA.
- MATERIAL RECYCLING CODE PER ISO 11469. (2.3)X(0.1) CHARACTERS AS SHOWN TO BE LOCATED ON ANY EXTERIOR SURFACE.
- THIS PART ACCEPTS THE FOLLOWING COMPONENTS OR EQUIVALENT:
  - TERMINAL 15496986
  - TERMINAL POSITION ASSURANCE LOCK 13539690
- REFERENCE MATING COMPONENTS OR EQUIVALENT:
  - LOWER HOUSING 15496463
- (2.3)X(0.1) DELPHI CORPORATE BRAND TO BE LOCATED ON ANY EXTERIOR SURFACE, PREFERABLY VISIBLE AT FINAL ASSEMBLY. OPTIONAL CONSTRUCTION TO BE "PED".

DIMENSIONAL RANGE (MM)		CHART E1	
FROM	TO	>	>
>0	>20	>30	>70
>20	>30	>70	>100
>30	>70	>100	>150
>70	>100	>150	>200
>100	>150	>200	>250
>150	>200	>250	>300
>200	>250	>300	>400

DWG TYPE PART DRAWING	
STYLE GMT900	
VOLUME (CM <sup>3</sup> ) 15.597	DISTR CODE D
UNLESS OTHERWISE SPECIFIED THIS DOCUMENT IS IN ACCORDANCE WITH ASME Y14.5M-1994 AS AMENDED BY THE GM GLOBAL DIMENSIONING AND TOLERANCING ADDENDUM-2001. SEPARATE PATTERNS OF FEATURES MAY BE GAGED SEPARATELY REGARDLESS OF DATUM REFERENCES.	
ALL DIMENSIONS ARE IN MILLIMETERS	
THIRD ANGLE PROJECTION	
DO NOT SCALE	
USE MATH DATA	

**DELPHI**  
DELPHI PACKARD ELECTRIC SYSTEMS  
WARREN, OH

DR	DATE
APVD1 L.M. BASKIN	05N004
APVD2 L.M. BASKIN	05N004
APVD3 MAX DILLOW	05N004
APVD4	
APVD5	

SUBSTANCES OF CONCERN AND RECYCLED CONTENT PER DELPHI 10949001

MATERIAL  
M4628002 PA6T/66 GF15 HS 1M BLK

DRAWING NAME  
CONN I F H/P BLK

DRAWING NUMBER  
15488459

SIZE A1	SCALE 2:1	FRAME NO 1 OF 1	SHEET NO 1 OF 1	STG R	REV 05	N/P AB
------------	--------------	--------------------	--------------------	----------	-----------	-----------