

RFA-100-015: SMA ANTENNA WITH ELBOW, 617MHz to 2700MHz, ADDITIONAL SNAP 45°

Material and plating:

1. SMA Plug: Brass, Nickel plating
2. Bottom Base: PC+PBT, Black
3. Rivet: POM, Black
4. Cap: ABS, Black

Electrical

Frequency Range:
617MHz~960Mhz,
1710MHz~2700Mhz

Impedence: 50Ω

VSWR: 3.5 max.

Radiation: Omni

Gain: 3dBi +/-0.5

Polarization: Vertical

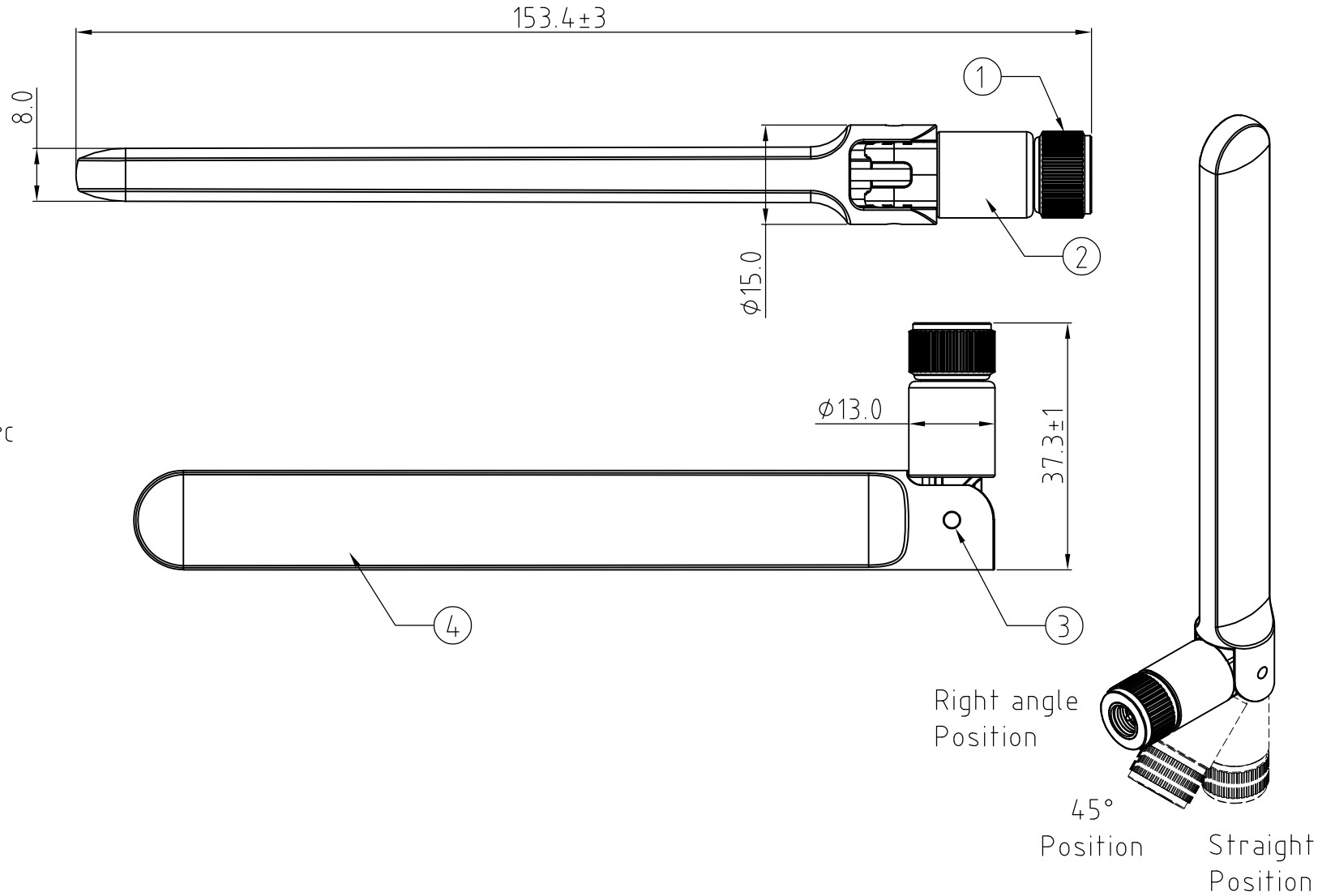
Maximum Power: 1W

Mechanical & Environment

Operating Temperature: -20°C to +65°C

Weight: 14.4g

Lead free ROHS



REV. DATE & DRN
10 04/08/23 - CC RELEASE
11 13/05/25 - NYW
ADD GCT LOGO.

Scale: NTS	THIRD ANGLE	Unstated Tolerances: .X ± 0.30 .XX ± 0.20 .XXX ± 0.10 ANGLES	Material SEE NOTE
Drawn: CC			
App'd: PH	Title SMA Antenna		NOT TO SCALE
Date: 13 MAY '25	Revision: 1.1		Unit: mm



Type: RFA-100-015
RFA-100-015
Drawing Number:
Sheet 1 of 1
Drawing © E and O E

THIS DRAWING IS CONFIDENTIAL AND MUST NOT BE COPIED OR DISCLOSED WITHOUT WRITTEN CONSENT