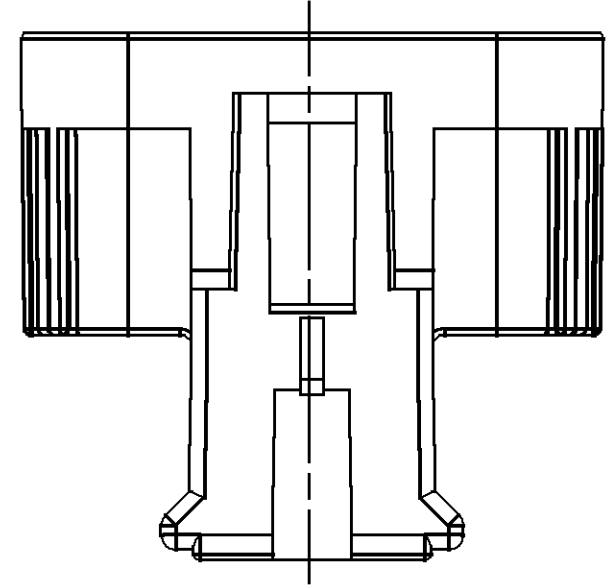
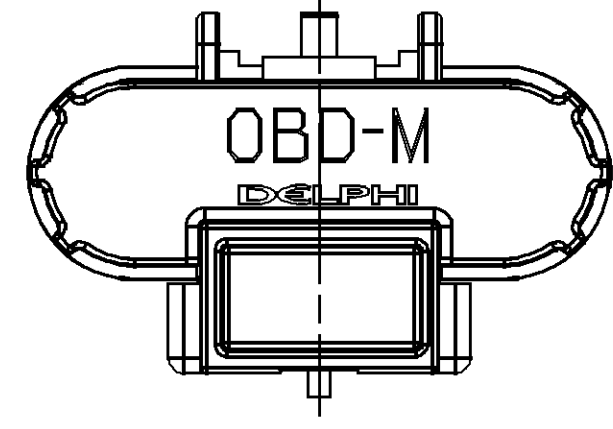
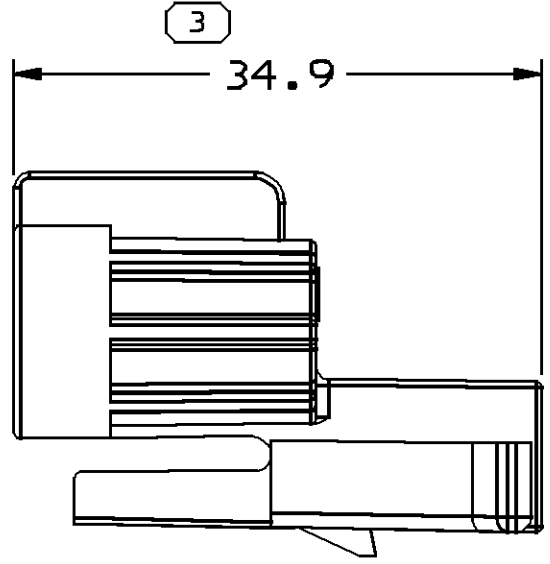
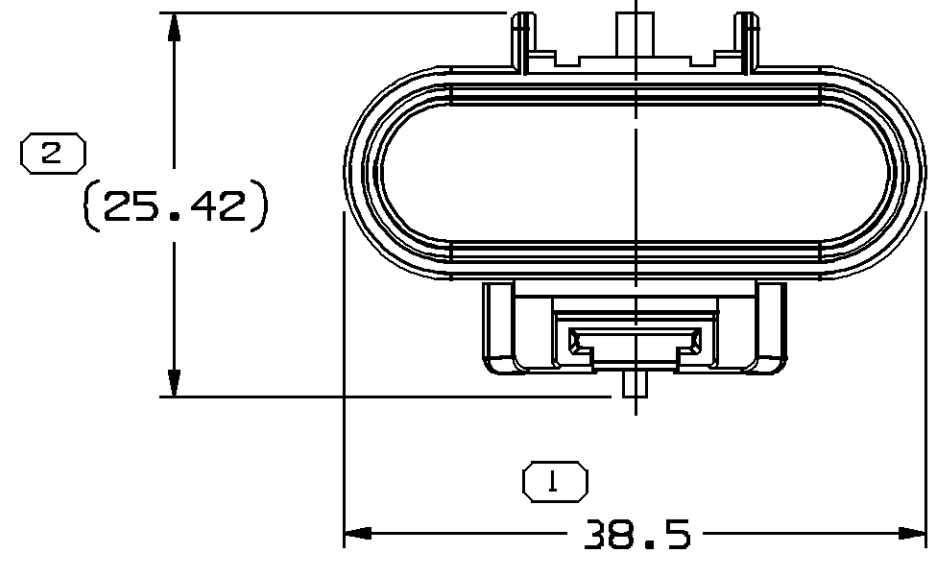
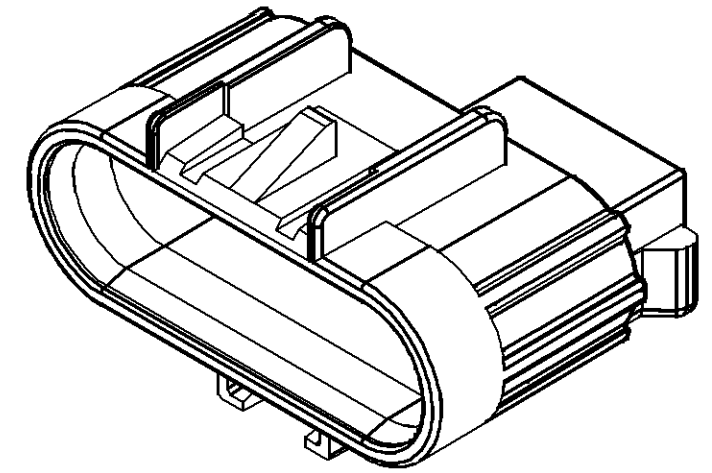
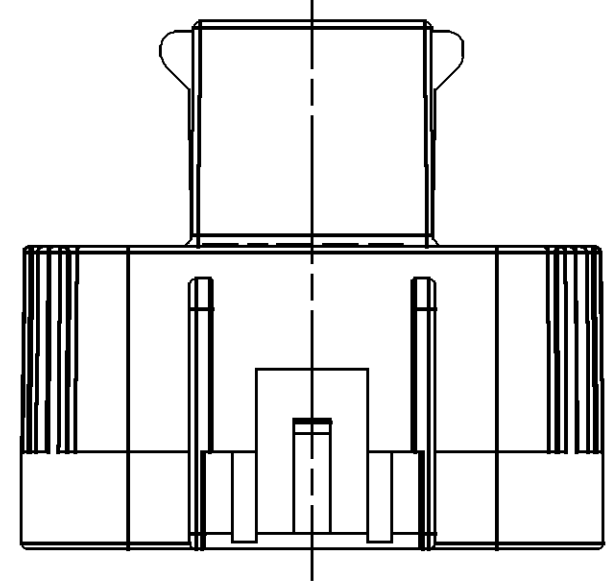


SYMBOL DEFINITION		MISSING SYMBOLS	
A DIMENSION WITHOUT AN INSPECTION REPORT SYMBOL () DOES NOT REQUIRE INSPECTION. IT MAY BE CONTROLLED ON THE INDIVIDUAL COMPONENT DRAWING.	TOTAL NO OF INSPECTIONS REQUIRED	NO MISSING SYMBOL NUMBER	
	3		
	LAST NO. USED		
	3		

DWG STATUS				ZONE	REVISION HISTORY	AUTH	DR	APVD1	APVD2
DATE	STG	REV	N/P						
06JN06	R	01	-	-	WAS PE154052 AND RELEASED	281412	RMG	FRG	PYP
30AP07	R	01	AA	-	MAT'L SPEC WAS M4629007	401260	RTV	JAA	PYP
08MY08	R	02	-	-	UPDATED PDM ATRIBUTES	404444	MH	PYP	MH



NOTES

- UNLESS OTHERWISE SPECIFIED AND/OR INDICATED:
DIMENSIONS ARE TO FACE OF VIEW SHOWN AND AUTOMATICALLY ROUNDED BY COMPUTER FOR INSPECTION (SEE MATH MODEL FOR PRECISE DIMENSIONS). FOR ALL OTHER DIMENSIONS NOT SHOWN BUT REQUIRED FOR TOOL BUILD, SEE MATH MODEL FOR PRECISE TOOL PATH DATA.
- MATERIAL RECYCLING CODE PER ISO 11469. (2.3)X(0.1) CHARACTERS AS SHOWN TO BE LOCATED ON ANY EXTERIOR SURFACE. OPTIONAL CONSTRUCTION TO BE NO RECYCLING CODE.
- REFERENCE MATING COMPONENTS OR EQUIVALENT:
CONNECTOR - 15397575
- THIS PART ACCEPTS THE FOLLOWING COMPONENTS OR EQUIVALENT:
MOUN - 13589872
- (2.3)X(0.1) DELPHI CORPORATE BRAND TO BE LOCATED ON ANY EXTERIOR SURFACE, PREFERABLY VISIBLE AT FINAL ASSEMBLY. OPTIONAL CONSTRUCTION FOR EXISTING TOOLING MAY BE "PED".

(3)	PROCESS SENSITIVE DIMENSION								
()	DIMENSIONS ENCLOSED IN () INDICATE REFERENCE DIMENSIONS AND NO TOLERANCE LIMITS ARE ESTABLISHED								
FROM	> 0	> 20	> 30	> 70	> 100	> 150	> 200	> 250	> 300
TO	20	30	70	100	150	200	250	300	400
TOLERANCE UNLESS OTHERWISE SPECIFIED									
±0.15 ±0.2 ±0.3 ±0.4 ±0.5 ±0.6 ±0.8 ±1 ±1.2									
ANGULAR TOLERANCE ±2°									

DWG TYPE		PART DRAWING	
STYLE			
VOLUME (CPI)	DISTR CODE		
5.242	D		
UNLESS OTHERWISE SPECIFIED			
THIS DOCUMENT IS IN ACCORDANCE WITH ASME Y14.5M-1994 AS AMENDED BY THE 0M GLOBAL DIMENSIONING AND TOLERANCING ADDENDUM-2001. SEPARATE PATTERNS OF FEATURES MAY BE GAGED SEPARATELY REGARDLESS OF DATUM REFERENCES.			
ALL DIMENSIONS ARE IN MILLIMETERS			
REFERENCE			
THIRD ANGLE PROJECTION	DO NOT SCALE		
USE MATH DATA			

DELPHI			
DELPHI PACKARD ELECTRICAL/ELECTRONIC ARCHITECTURE WARREN, OH			
DR			DATE
APVD1	RICARDO MARTINEZ	06JN06	
APVD2	FCO. RESENDIZ	14JN06	
APVD3	PEDRO YABUR	22JN06	
APVD4			
APVD5			
SUBSTANCES OF CONCERN AND RECYCLED CONTENT PER DELPHI 10945001			
MATERIAL M4629005 PBT GF20 ORN			
DRAWING NAME COV CONN GT ORN			
DRAWING NUMBER 13589871			
SIZE	SCALE	FRAME NO	SHEET NO
A1	2:1	1 OF 1	1 OF 1
STG	REV	N/P	
R	02	-	