

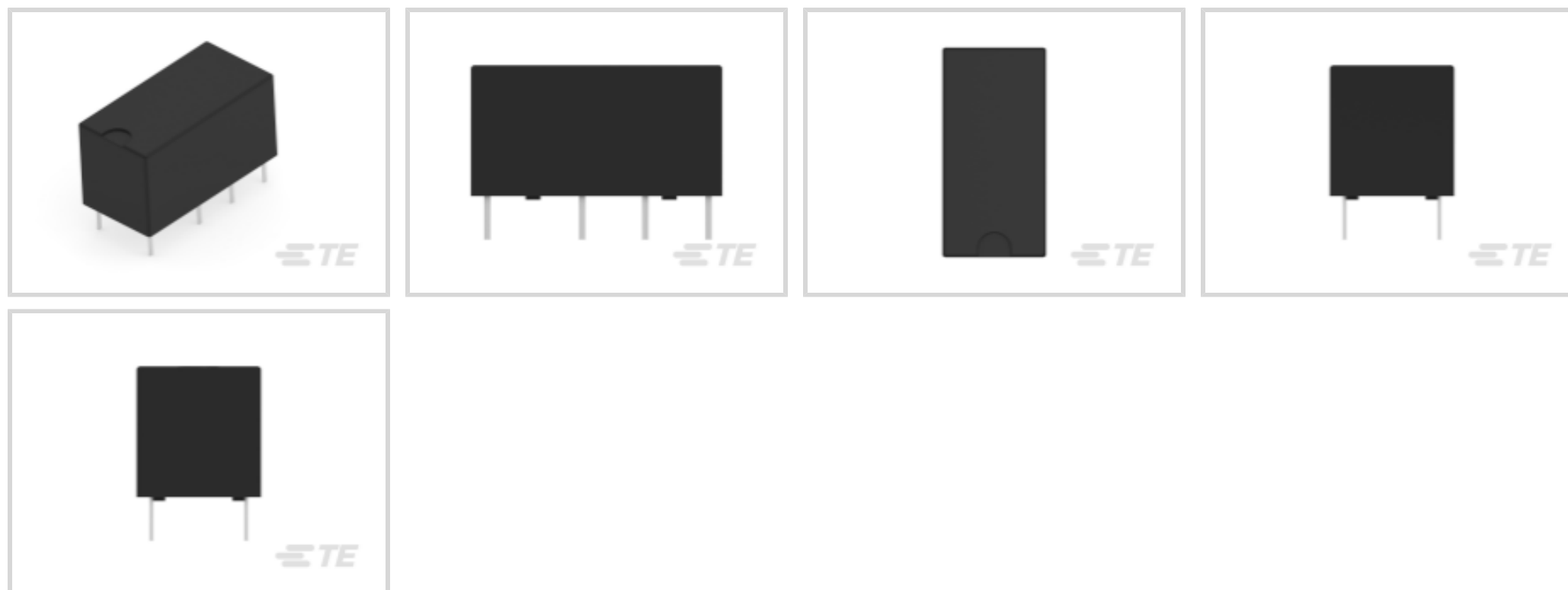


Axicom D2n Relay

TE Internal #: 1-1393793-4

TE Internal Description: V23105A5477A201

[View on TE.com >](#)



Product Compliance

[For compliance documentation, visit the product page on TE.com>](#)

EU RoHS Directive 2011/65/EU	Compliant
EU ELV Directive 2000/53/EC	Compliant
China RoHS 2 Directive MIIT Order No 32, 2016	No Restricted Materials Above Threshold
EU REACH Regulation (EC) No. 1907/2006	Current ECHA Candidate List: JUNE 2024 (241) Candidate List Declared Against: JAN 2024 (240) Does not contain REACH SVHC
Halogen Content	Not Low Halogen - contains Br or Cl > 900 ppm.
Solder Process Capability	Wave solder capable to 265°C

Product Compliance Disclaimer

This information is provided based on reasonable inquiry of our suppliers and represents our current actual knowledge based on the information they provided. This information is subject to change. The part numbers that TE has identified as EU RoHS compliant have a maximum concentration of 0.1% by weight in homogenous materials for lead, hexavalent chromium, mercury, PBB, PBDE, DBP, BBP, DEHP, DIBP, and 0.01% for cadmium, or qualify for an exemption to these limits as defined in the Annexes of Directive 2011/65/EU (RoHS2). Finished electrical and electronic equipment products will be CE marked as required by Directive 2011/65/EU. Components may not be CE marked. Additionally, the part numbers that TE has identified as EU ELV compliant have a maximum concentration of 0.1% by weight in homogenous materials for lead, hexavalent chromium, and mercury, and 0.01% for cadmium, or qualify for an exemption to these limits as defined in the Annexes of Directive 2000/53/EC (ELV). Regarding the REACH Regulation, the information TE provides on SVHC in articles for this part number is based on the latest European Chemicals Agency (ECHA) 'Guidance on requirements for substances in articles' posted at this URL: <https://echa.europa.eu/guidance-documents/guidance-on-reach>

Also in the Series | [Axicom D2n Relay](#)

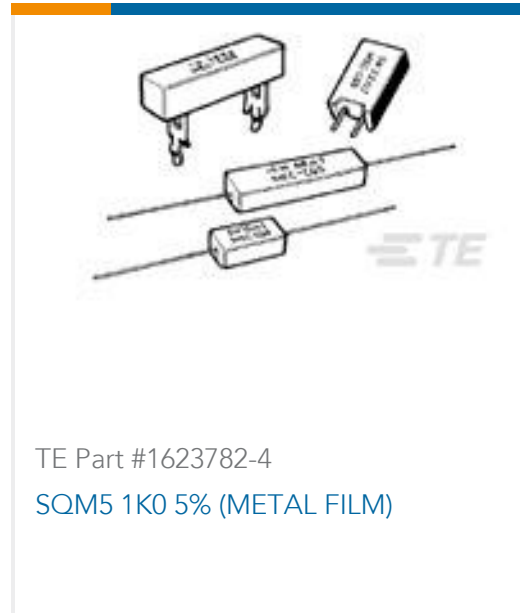


Electromechanical Relays(3)

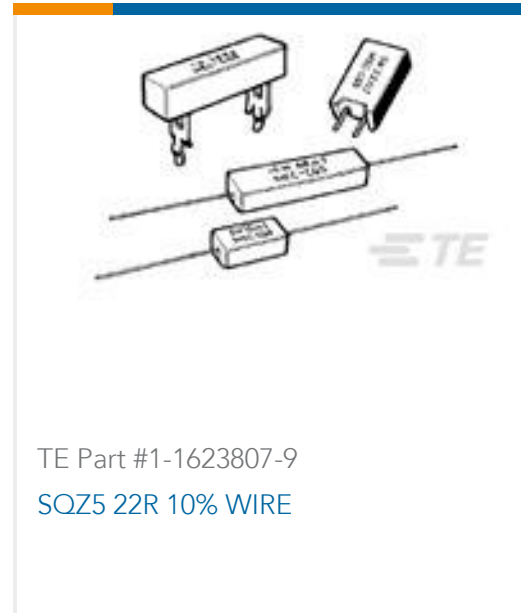
Customers Also Bought



TE Part #1623730-5
Wirewound Resistor: Vertical Mount



TE Part #1623782-4
SQM5 1K0 5% (METAL FILM)



TE Part #1-1623807-9
SQZ5 22R 10% WIRE



TE Part #1622349-1
LR1 1% 1K0



TE Part #4-1393238-4
RTB74012



TE Part #1447009-5
SHIELD FINGER 0820 TYPE



TE Part #2306654-3
SPRING FINGER 1.8H

Documents

CAD Files

Customer View Model

[ENG_CVM_CVM_1-1393793-4_C1.3d_igs.zip](#)

English

Customer View Model

[ENG_CVM_CVM_1-1393793-4_C1.3d_stp.zip](#)

English

Customer View Model

[ENG_CVM_CVM_1-1393793-4_C1.2d_dxf.zip](#)

English

3D PDF

3D

By downloading the CAD file I accept and agree to the [Terms and Conditions](#) of use.

Datasheets & Catalog Pages

[Transportation, Storage, Handling, Assembly and Testing of AXICOM THT Relays](#)

English



[D2n Relay Datasheet](#)

English

[Product Specifications](#)

[Definitions General Purpose Relays](#)

English

[Agency Approvals](#)

[UL](#)

English