

091690

× OBSOLETE

MEAS | MEAS 46000 Series

TE Internal #: 11026262-00

TE Internal Description: SUPER STABLE GLASS NTC THERMISTOR

Model 46000 Series

[View on TE.com >](#)



Sensors > Temperature Sensors > NTC Thermistors Sensors & Probes > NTC Thermistors > Model 46000 Series



NTC Sensor Type: Glass Encapsulated NTC Thermistor

Lead Wire Length: 76 mm [2.992 in]

Resistance (at 25°C): 6 kΩ

β-Value(25/85): 3978 K

Tolerance β-Value: ±0.4 %

[All Model 46000 Series \(10\)](#)

Features

Product Type Features

NTC Sensor Type	Glass Encapsulated NTC Thermistor
Tolerance β-Value	±0.4 %

Electrical Characteristics

β-Value(25/85)	3978 K
----------------	--------

Dimensions

Lead Wire Length	76 mm[2.992 in]
------------------	-----------------

Usage Conditions

Resistance (at 25°C)	6 kΩ
Operating Temperature Range	-55 – 150 °C[-67 – 302 °F]
Operating Temperature (Max)	150 °C[302 °F]

Product Compliance

[For compliance documentation, visit the product page on TE.com>](#)

EU RoHS Directive 2011/65/EU	Not Yet Reviewed
EU ELV Directive 2000/53/EC	Not Yet Reviewed
China RoHS 2 Directive MIIT Order No 32, 2016	Not reviewed for China RoHS compliance

EU REACH Regulation (EC) No. 1907/2006

Current ECHA Candidate List: JUNE 2024
(241)

Not Yet Reviewed

Halogen Content

Not Yet Reviewed for halogen content

Solder Process Capability

Not reviewed for solder process capability

Product Compliance Disclaimer

This information is provided based on reasonable inquiry of our suppliers and represents our current actual knowledge based on the information they provided. This information is subject to change. The part numbers that TE has identified as EU RoHS compliant have a maximum concentration of 0.1% by weight in homogenous materials for lead, hexavalent chromium, mercury, PBB, PBDE, DBP, BBP, DEHP, DIBP, and 0.01% for cadmium, or qualify for an exemption to these limits as defined in the Annexes of Directive 2011/65/EU (RoHS2). Finished electrical and electronic equipment products will be CE marked as required by Directive 2011/65/EU. Components may not be CE marked. Additionally, the part numbers that TE has identified as EU ELV compliant have a maximum concentration of 0.1% by weight in homogenous materials for lead, hexavalent chromium, and mercury, and 0.01% for cadmium, or qualify for an exemption to these limits as defined in the Annexes of Directive 2000/53/EC (ELV). Regarding the REACH Regulations, TE's information on SVHC in articles for this part number is still based on the European Chemical Agency (ECHA) 'Guidance on requirements for substances in articles' (Version: 2, April 2011), applying the 0.1% weight on weight concentration threshold at the finished product level. TE is aware of the European Court of Justice ruling of September 10th, 2015 also known as O5A (Once An Article Always An Article) stating that, in case of 'complex object', the threshold for a SVHC must be applied to both the product as a whole and simultaneously to each of the articles forming part of its composition. TE has evaluated this ruling based on the new ECHA "Guidance on requirements for substances in articles" (June 2017, version 4.0) and will be updating its statements accordingly.

Also in the Series | **MEAS 46000 Series**



NTC Thermistors(10)

Customers Also Bought



TE Part #3-1617072-9
3SBC1547A2 = M39016/13-073M



TE Part #227531-5
SMA PLUG W/LOOSE COUPLING NUT



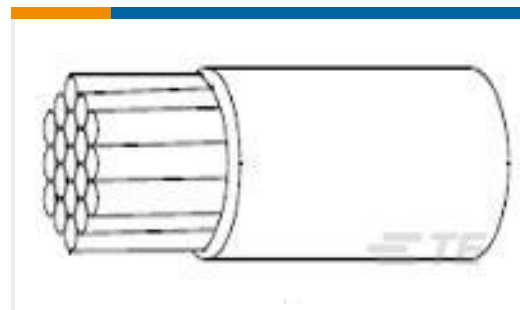
TE Part #YDTS24F25-61PBV001
RECP ASSY



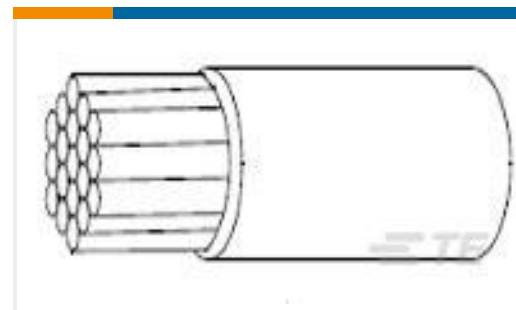
TE Part #207684-5
AMPLIMITE,SKT CONT,SZ 22



TE Part #212562-2
AMPLIMITE CONN SVR,37 POS,TRW



TE Part #D07530-000
22759/44-12-0



TE Part #664253-000
22759/44-14-9



TE Part #YDTS20G17-06SNV001
RECP ASSY

Documents

Datasheets & Catalog Pages

[Model 46037 Datasheet](#)

English

[46000 Series Datasheet](#)

English