

2-2362415-1 ✓ ACTIVE

TE Internal #: 2-2362415-1

PCB Mount Receptacle, Cable-to-Board, 2 Position, 21.5 mm [8.46 in] Centerline, Fully Shrouded, Silver (Ag), Sealable, Orange, Box

[View on TE.com >](#)



Connectors > PCB Connectors > PCB Headers & Receptacles



Connector System: **Cable-to-Board**

Number of Positions: **2**

Centerline (Pitch): **21.5 mm [8.46 in]**

Sealable: **Yes**

Number of Rows: **1**

Features

Product Type Features

Connector Shape	Rectangular
PCB Connector Assembly Type	PCB Mount Receptacle
Header Type	Fully Shrouded
Connector System	Cable-to-Board
Sealable	Yes
Connector & Contact Terminates To	Bus Bar

Configuration Features

Number of Positions	2
Number of Rows	1

Body Features

Primary Product Color	Orange
-----------------------	--------

Contact Features

Contact Type	Pin
Contact Mating Area Plating Material	Silver (Ag)

Mechanical Attachment



Mating Alignment	With
------------------	------

Housing Features

Centerline (Pitch)	21.5 mm[8.46 in]
--------------------	------------------

Usage Conditions

Operating Temperature Range	-40 – 125 °C[-40 – 257 °F]
-----------------------------	----------------------------

Industry Standards

UL Flammability Rating	UL 94V-0
------------------------	----------

Packaging Features

Packaging Method	Box
------------------	-----

Product Compliance

For compliance documentation, visit the product page on [TE.com](#)>

EU RoHS Directive 2011/65/EU	Compliant
EU ELV Directive 2000/53/EC	Compliant
China RoHS 2 Directive MIIT Order No 32, 2016	No Restricted Materials Above Threshold
EU REACH Regulation (EC) No. 1907/2006	Current ECHA Candidate List: JUNE 2024 (241) Candidate List Declared Against: JUNE 2024 (241) Does not contain REACH SVHC
Halogen Content	Low Halogen - Br, Cl, F, I < 900 ppm per homogenous material. Also BFR/CFR/PVC Free
Solder Process Capability	Not reviewed for solder process capability

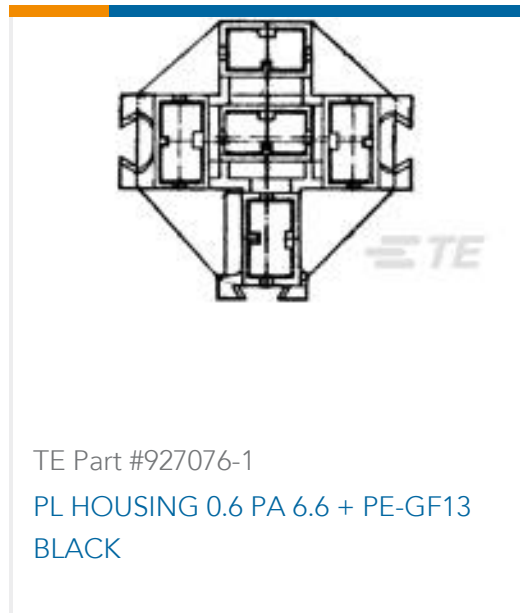
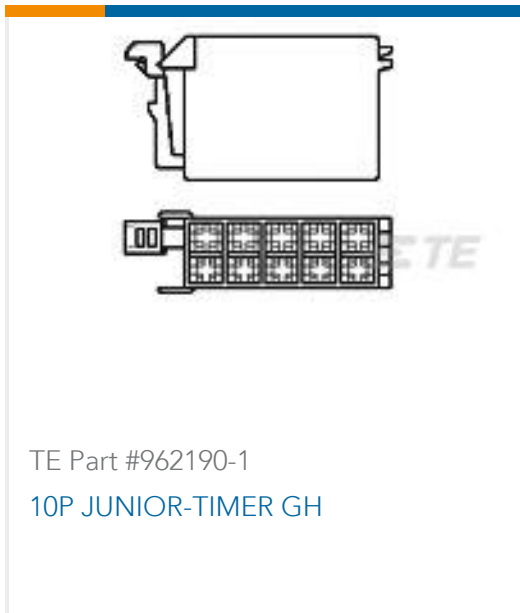
Product Compliance Disclaimer

This information is provided based on reasonable inquiry of our suppliers and represents our current actual knowledge based on the information they provided. This information is subject to change. The part numbers that TE has identified as EU RoHS compliant have a maximum concentration of 0.1% by weight in homogenous materials for lead, hexavalent chromium, mercury, PBB, PBDE, DBP, BBP, DEHP, DIBP, and 0.01% for cadmium, or qualify for an exemption to these limits as defined in the Annexes of Directive 2011/65/EU (RoHS2). Finished electrical and electronic equipment products will be CE marked as required by Directive 2011/65/EU. Components may not be CE marked. Additionally, the part numbers that TE has identified as EU ELV compliant have a maximum concentration of 0.1% by weight in homogenous materials for lead, hexavalent chromium, and mercury, and 0.01% for cadmium, or qualify for an exemption to these limits as defined in the Annexes of Directive 2000/53/EC (ELV). Regarding the REACH Regulation, the information TE provides on SVHC in articles for this part number is based on the latest European Chemicals Agency (ECHA) 'Guidance on requirements for substances in articles' posted at this URL: <https://echa.europa.eu/guidance-documents/guidance-on-reach>

Compatible Parts



Customers Also Bought



Documents



Product Drawings

[2POS,PCON21,REC INNER HSG,SLD,180DEG](#)

English

CAD Files

[3D PDF](#)

3D

Customer View Model

[ENG_CVM_CVM_2-2362415-1_1.2d_dxf.zip](#)

English

Customer View Model

[ENG_CVM_CVM_2-2362415-1_1.3d_igs.zip](#)

English

Customer View Model

[ENG_CVM_CVM_2-2362415-1_1.3d_stp.zip](#)

English

By downloading the CAD file I accept and agree to the [Terms and Conditions](#) of use.

Product Specifications

[Process Specification](#)

English